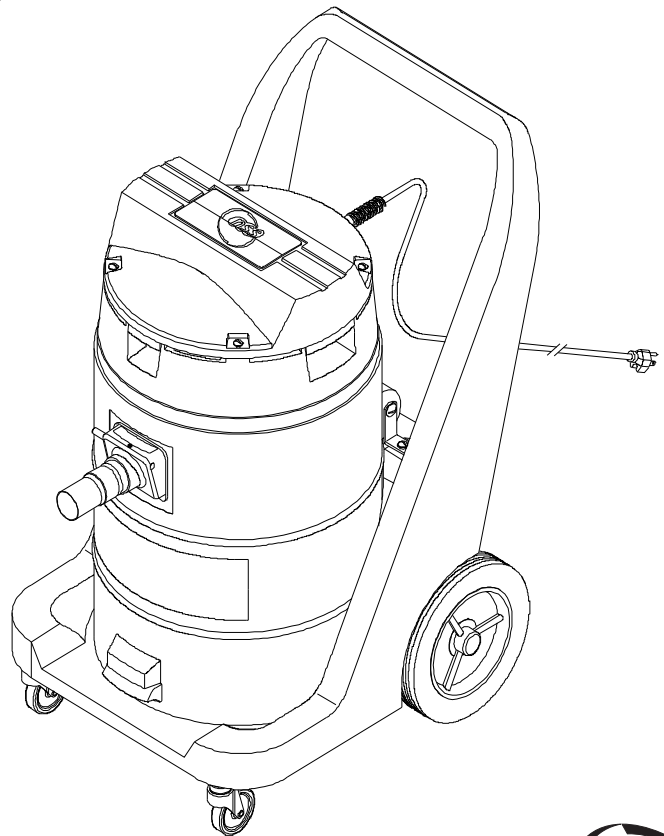
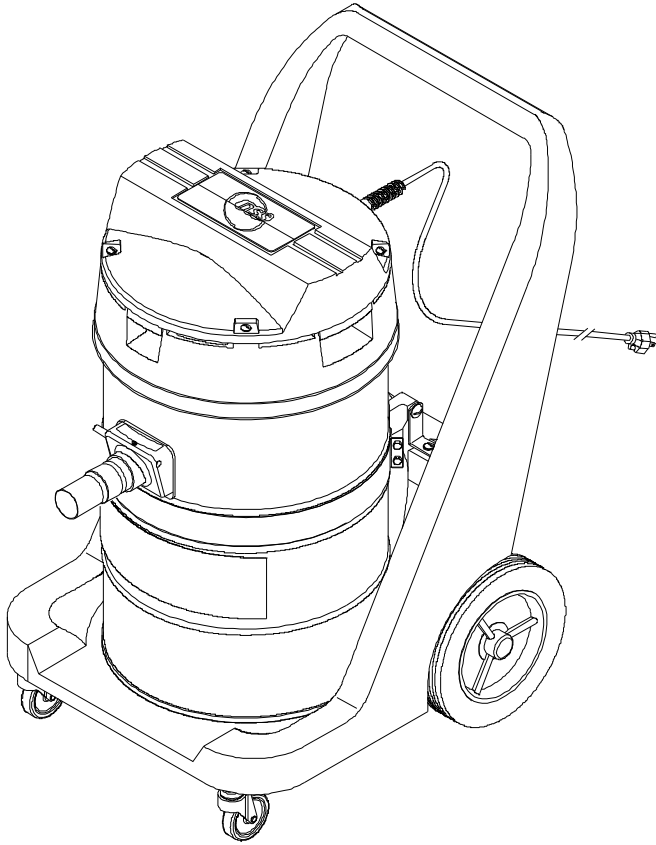
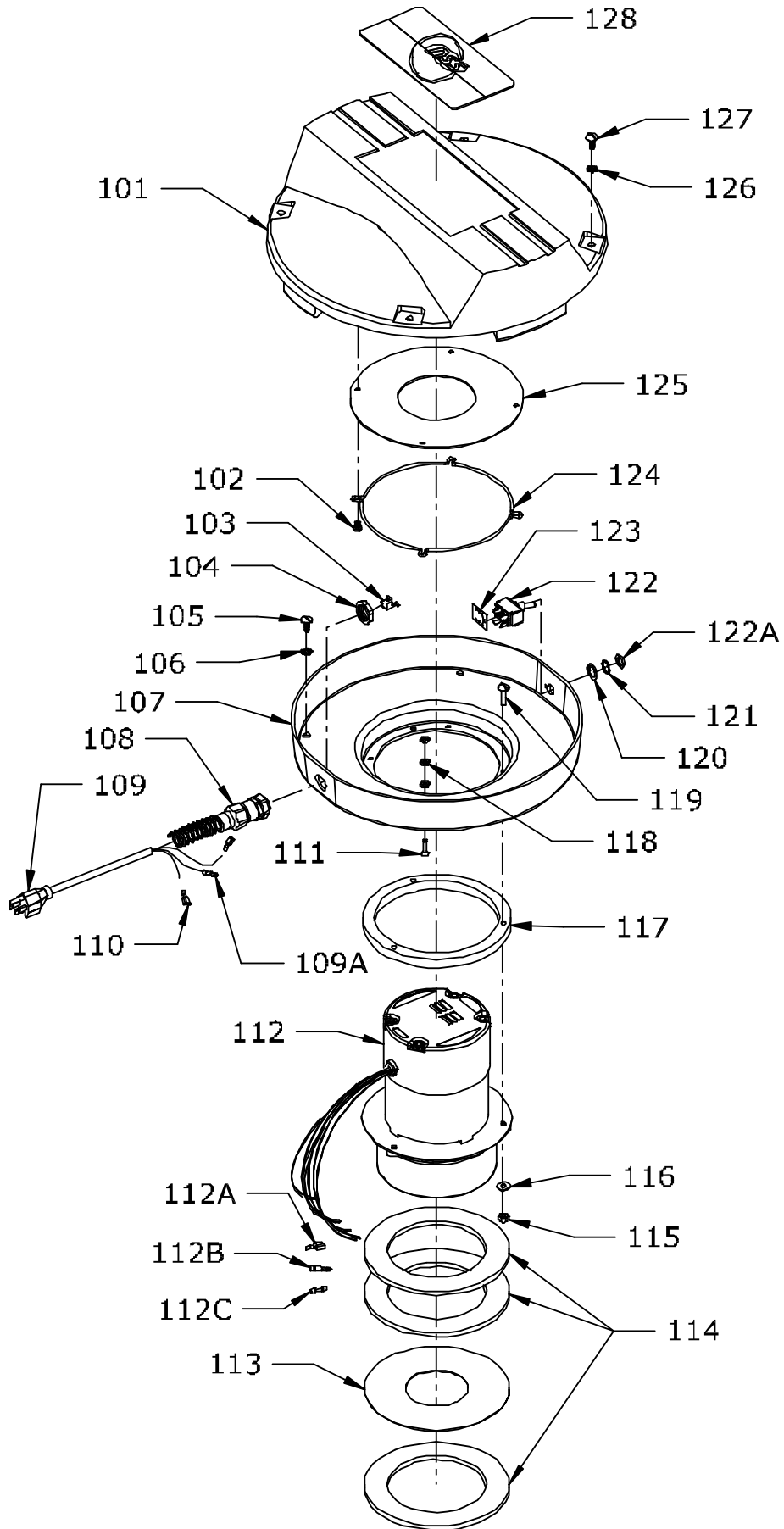


PARTS LIST
BP RANGER 1250 & 1450



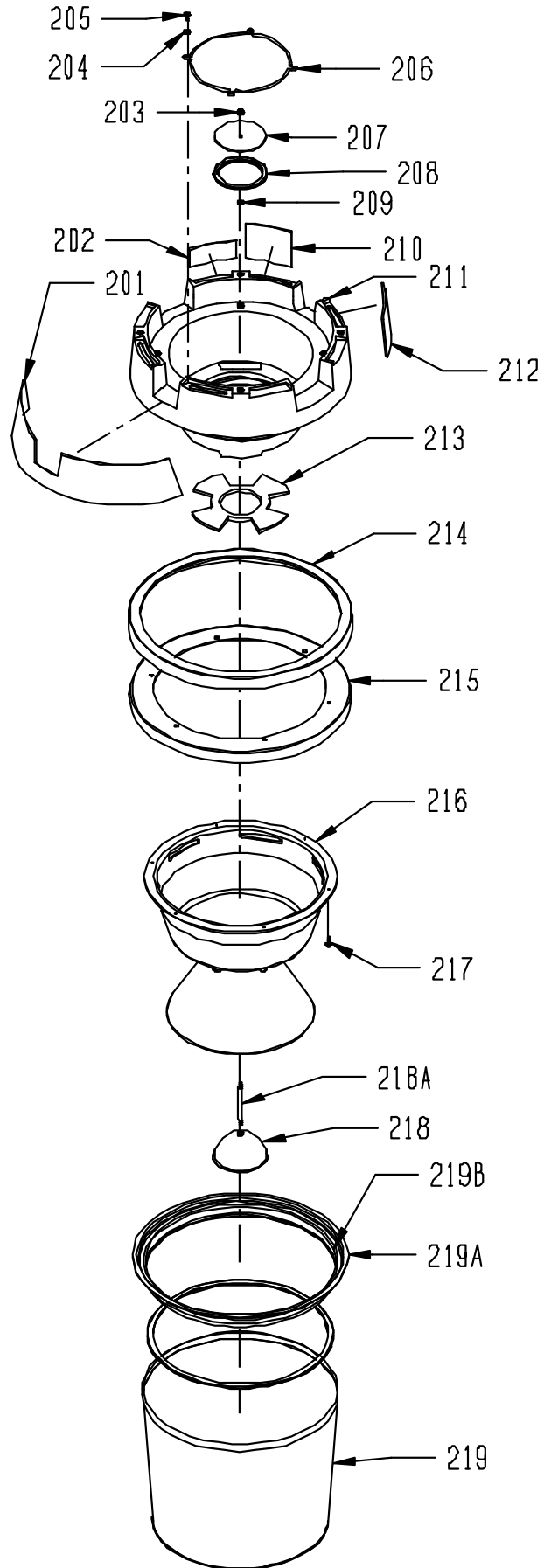
ITEM	PART NO.	PART DESCRIPTION	QTY.
101	0891001	TOP COVER	1
102	9120790	10 X 5/8 PAN HEAD PHILLIPS SHEET METAL SCREW - PACK OF 10	4
103	0299661	STRAIN RELIEF CORD CLAMP	1
104	0891131	STRAIN RELIEF NUT	1
105	9121040	1/4-20 X 5/8 PAN HEAD PHILLIPS MACHINE SCREW - PACK OF 5	4
106	9120970	1/4-20 EXTERNAL STAR LOCK WASHER - PACK OF 10	4
107	0891031	AIR SEPARATOR	1
108	0299531	STRAIN RELIEF	1
109	0693231	CORD - 120 VOLT - STWA - 50 FT. - INCLUDES:	1
109A	0298981	#10 RING TERMINAL 14-16 GAGE	1
110	5490161	FULLY INSULATED FEMALE TERMINAL 14-16 GAGE	2
111	9120400	10-24 X 3/4 FLAT HEAD PHILLIPS MACHINE SCREW - PACK OF 10	1
112	0892709	INFIN-A-TEK VAC MOTOR - INCLUDES:	1
112A	4991361	FULLY INSULATED FEMALE TERMINAL 18-22 GAGE	2
112B	0298981	#10 RING TERMINAL 14-16 GAGE	2
112C	0892751	INSULATED BUTT SPLICE 22-18 GAGE	2
113	0892731	VAC MOTOR LOWER GASKET DISC	1
114	0892721	VAC MOTOR LOWER GASKET	3
115	9120900	1/4-20 HEX NUT WITH NY-LOCK INSERT - PACK OF 10	3
116	9120930	9/32 I.D. X 5/8 O.D. X .051/.080 THICK - PACK OF 10	3
117	0892711	UPPER SPACER	1
118	9120360	10-24 HEX NUT WITH STAR LOCK WASHER - PACK OF 10	3
119	9121130	1/4-20 X 1-1/2 TRUSS HEAD PHILLIPS MACHINE SCREW - PACK OF 5	3
120	4691621	SWITCH LOCK RING	1
121	0691851	1/2 INTERNAL STAR LOCK WASHER	1
122	0891141	TOGGLE SWITCH - INCLUDES:	1
122A	0798941	9/16" HEX NUT	1
123	0892141	TOGGLE SWITCH INSULATOR	1
124	0798716	SEALING RING	1
125	0798691	UPPER AIR SEAL	1
126	9120970	1/4-20 EXTERNAL STAR LOCK WASHER - PACK OF 10	4
127	9121020	1/4-20 X 1 TRUSS HEAD PHILLIPS MACHINE SCREW - PACK OF 5	4
128	0393531	NSS LOGO DECAL	1

MOTOR / LID



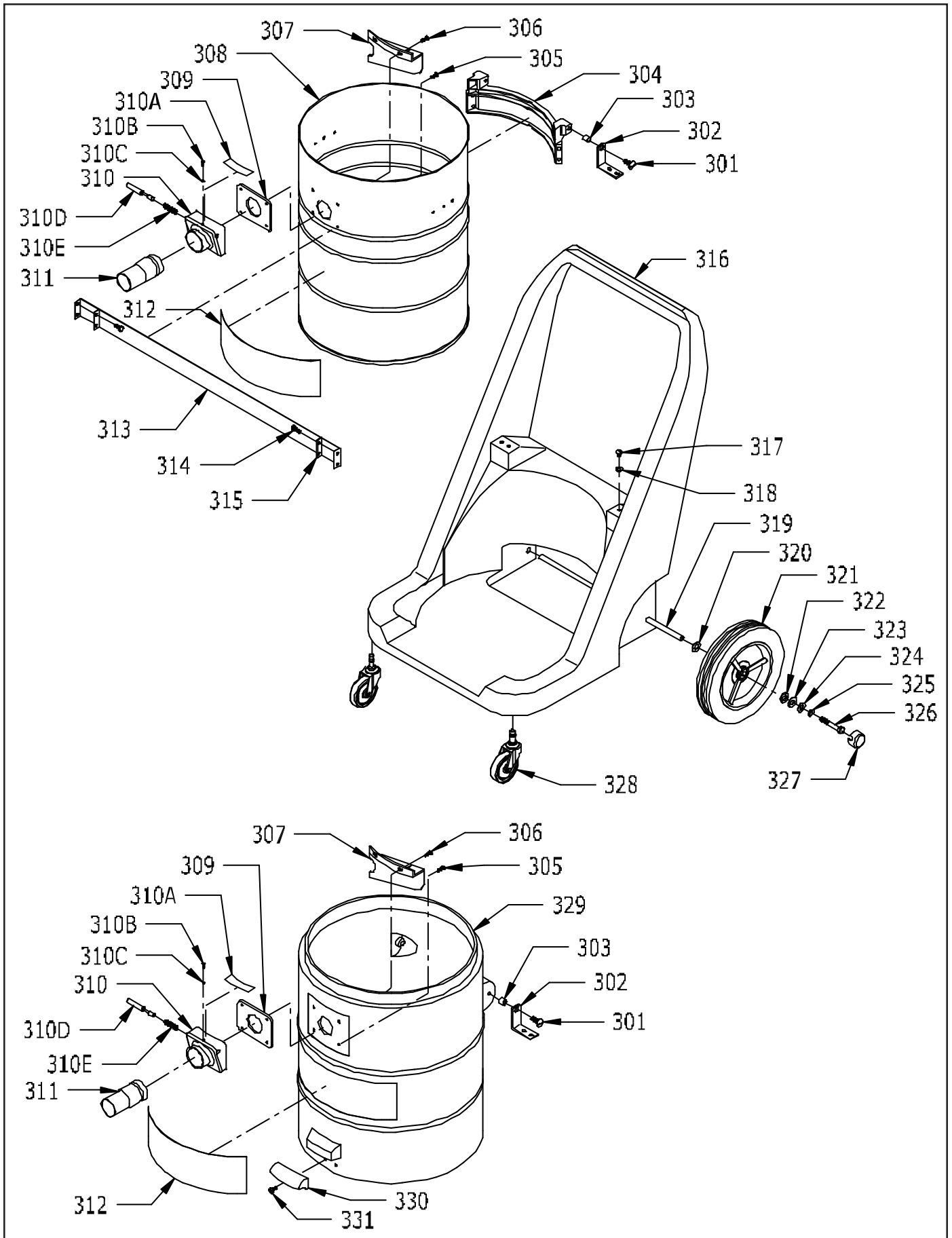
ITEM	PART NO.	PART DESCRIPTION	QTY.
201	0892501	FRONT DECAL - 1.4 X 21.5 ON 97° RADIUS	1
202	0892361	NAME IDENTIFIER DECAL - 1250 - ONLY	1
	0892371	NAME IDENTIFIER DECAL - 1450 - ONLY	1
203	9120350	10-24 HEX NUT WITH NYLOK INSERT - PACK OF 10	1
204	9120370	7/32 I.D. X 1/2 O.D. X .032/.065 THICK FLAT WASHER (#10) - PACK OF 10	4
205	9120790	10 X 5/8 PAN HEAD PHILLIPS SHEET METAL SCREW - PACK OF 10	4
206	0798716	SEALING RING	1
207	0691271	FLOAT DISC	1
208	0692411	FLOAT DISC GASKET WITH ADHESIVE	1
209	9120370	7/32 I.D. X 1/2 O.D. X .032/.065 THICK FLAT WASHER (#10) - PACK OF 10	1
210	0190911	GROUNDING LABEL	1
211	0891011	FLOAT SUPPORT	1
212	0190901	WARNING LABEL	1
213	0891071	FLOAT STAND GASKET	1
214	0891061	LID GASKET	1
215	0891053	LID GASKET SUPPORT	1
216	0891021	FLOAT STAND	1
217	9120790	10 X 5/8 PAN HEAD SHEET METAL SCREW - PACK OF 10	6
218	0690319	FLOAT AND STEM ASSEMBLY - INCLUDES:	1
218	0690311	FLOAT	1
218A	0690811	FLOAT STEM	1
	0891939	DYNEL FILTER ASSEMBLY - INCLUDES:	1
219	0691911	DYNEL BAG - CLOTH	1
219A	0690341	BAG RING ONLY	1
219B	0691751	BAG GASKET	1

POWER HEAD



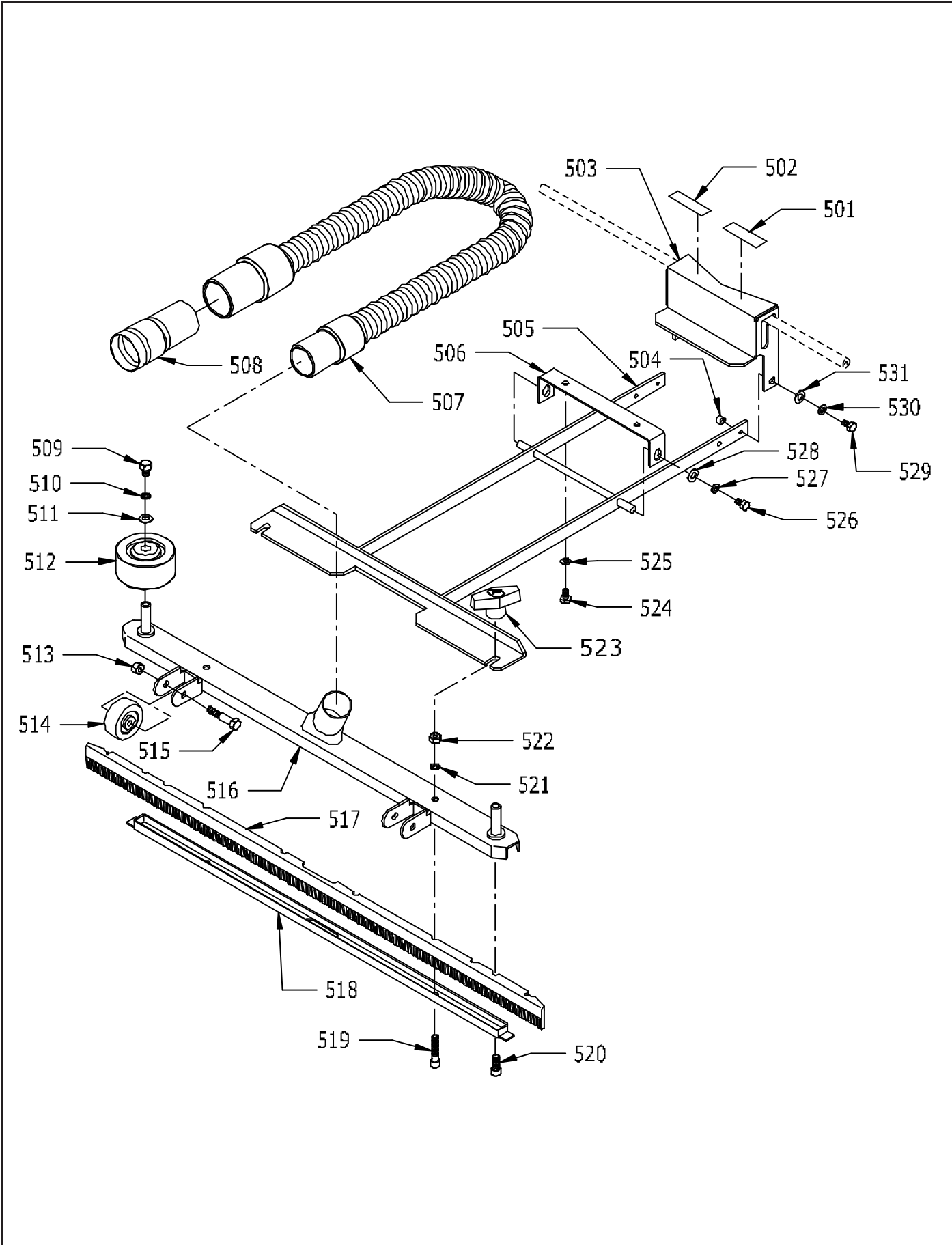
<u>ITEM</u>	<u>PART NO.</u>	<u>PART DESCRIPTION</u>	<u>QTY.</u>
301	9122040	3/8-16 X 1 ROUND HEAD PHILLIPS MACHINE SCREW	2
302	0891623	PIVOT BRACKET	2
303	0290971	SPACER	2
304	0690322	HINGE BRACKET - 1250 ONLY	1
305	9120610	10-24 X 5/8 PAN HEAD THREAD CUTTING SCREW	2
306	9120620	10-24 X 3/4 PAN HEAD THREAD CUTTING SCREW	2
307	0297101	BAFFLE - INTAKE	1
308	0690375	12.5 GALLON CAN - STAINLESS STEEL - 1250 ONLY	1
	0297029	INTAKE ASSEMBLY AND GASKET - INCLUDES:	1
309	4690531	INTAKE GASKET	1
	0297019	INTAKE ASSEMBLY - INCLUDES:	1
310	0297015	INTAKE ONLY	1
310A	0892441	BAG INSTRUCTION LABEL	1
310B	9120230	8-32 X 1/2 PAN HEAD PHILLIPS MACHINE SCREW - PACK OF 10	1
310C	9120200	8 SPLIT WASHER - PACK OF 10	1
310D	0299271	PLUNGER PIN	1
310E	0299261	PLUNGER SPRING	1
311	2590801	HOSE COUPLING	1
312	4792321	FRONT DECAL - 2 X 7	1
313	0690522	BAND CLAMP - 1250 ONLY	1
314	9121250	1/4-20 X 3/4 HEX BOLT - 1250 ONLY	4
315	0690532	BAND CLAMP PLATE - 1250 ONLY	2
316	0891661	TIP BASE	1
317	9121090	1/4-20 X 1/2 TRUSS HEAD PHILLIPS MACHINE SCREW - PACK OF 5	4
318	9120970	1/4 EXTERNAL STAR LOCK WASHER - PACK OF 10	4
319	0891611	AXLE	1
320	5390811	1/2 I.D. X 1 O.D. X .07 THICK FLAT WASHER - NYLATRON	2
321	4892731	10 INCH WHITE PLASTIC WHEEL	2
322	5390811	1/2 I.D. X 1 O.D. X .07 THICK FLAT WASHER - NYLATRON	2
323	9122465	.516 I.D. X .813 O.D. X .027/.030 THICK FLAT WASHER - PACK OF 2	2
324	9120930	9/32 I.D. X 5/8 O.D. X .051/.080 THICK FLAT WASHER (1/4) - PACK OF 10	2
325	9120880	1/4 SPLIT LOCK WASHER - PACK OF 10	2
326	9121210	1/4-20 X 5/8 HEX BOLT - PACK OF 10	2
328	0290011	CASTER	2
329	0891501	14.5 GALLON CAN - 1450 ONLY	1
330	0798685	HANDLE - (1450 ONLY)	1
331	9120540	10-24 X 1/2 FLAT HEAD PHILLIPS MACHINE SCREW - PACK 10 (1450 ONLY)	3

CONTAINERS WITH TIP BASES

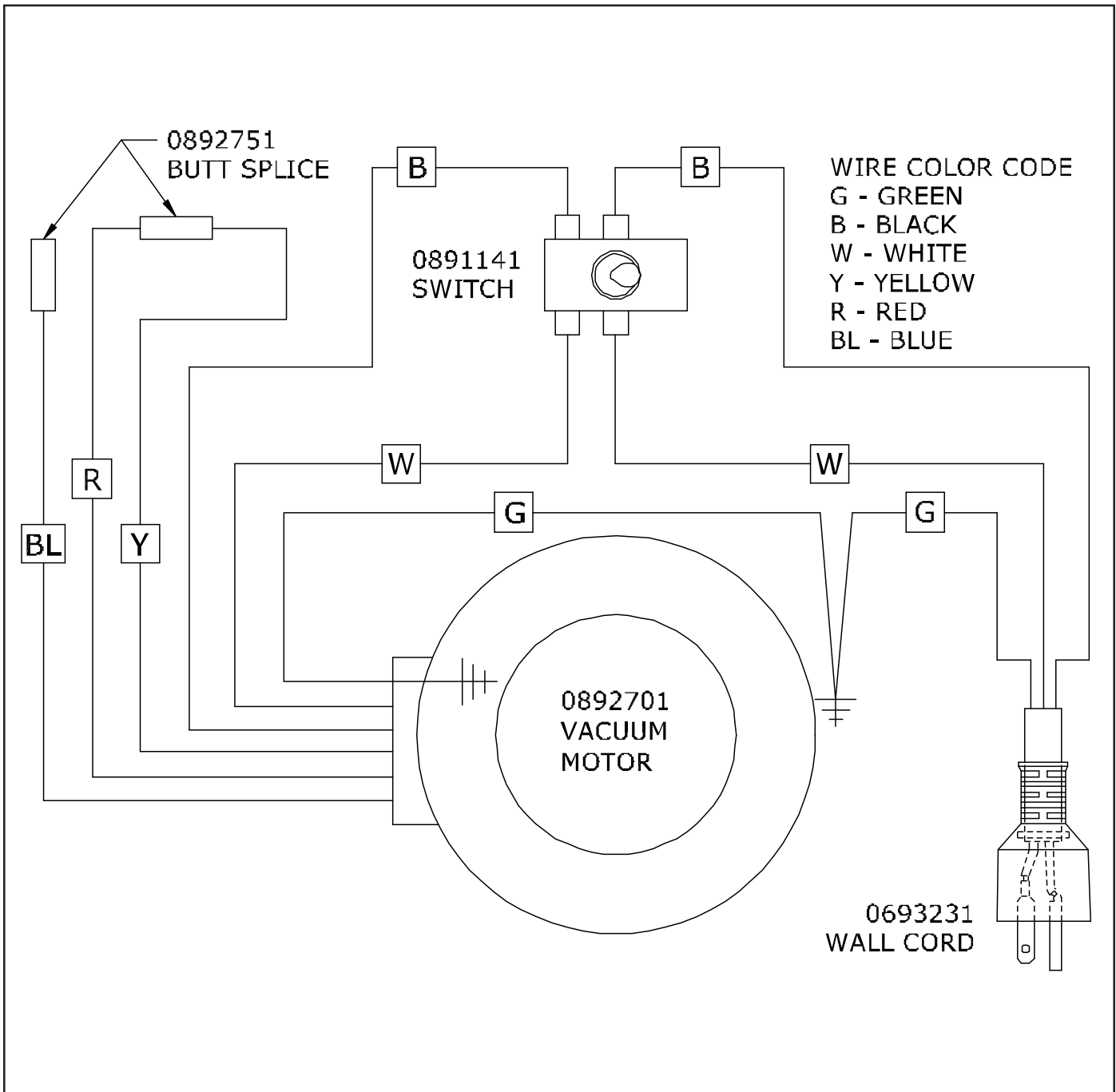


ITEM	PART NO.	PART DESCRIPTION	QTY.
	3098259	FRONT MOUNT SQUEEGEE - INCLUDES:	1
501	0891731	DECAL - PRESS TO RAISE	1
502	0891741	DECAL - PUSH TO LOWER	1
503	0891703	FOOT PEDAL WITH LATCH	1
504	2791281	BUSHING SPACER	2
505	0891723	MOUNTING PLATE	1
506	0891713	LOWER PIVOT BRACKET	1
507	0891751	2 FOOT HOSE WITH CUFFS	1
508	2590801	HOSE COUPLING 1 1/2"	1
509	9121560	5/16-18 X 1/2 HEX BOLT - PACK OF 5	2
510	9121410	5/16 EXTERNAL STAR LOCK WASHER - PACK OF 10	2
511	9121390	11/32 I.D. X 11/16 O.D. X .051/.080 THICK FLAT WASHER (5/16) - PK10	2
512	2790281	3" BUMPER WHEEL	2
513	9121450	5/16-18 HEX NUT WITH NYLOK INSERT - PACK OF 5	2
514	3096741	WHEEL - BUMPER - SMALL GRAY	2
515	9121760	5/16-18 X 1-3/4 HEX BOLT - PACK OF 2	2
516	2391273	OUTER CHANNEL	1
517	2793009	32" REPLACEMENT SQUEEGEE BLADES - SET OF 2	1
518	2391283	INNER CHANNEL	1
519	9121920	5/16-18 X 1-1/2 SOCKET HEAD CAP SCREW - PACK OF 2	2
520	9121880	5/16-18 X 3/4 SOCKET HEAD CAP SCREW - PACK OF 2	2
521	9121410	5/16 EXTERNAL STAR LOCK WASHER - PACK OF 10	2
522	9121420	5/16-18 HEX NUT - PACK OF 10	2
523	3392971	T-KNOB - SQUEEGEE	2
524	9121170	1/4-20 X 1/2 HEX BOLT - PACK OF 10	2
525	9120880	1/4 SPLIT LOCK WASHER - PACK OF 10	2
526	9121170	1/4-20 X 1/2 HEX BOLT - PACK OF 10	2
527	9120880	1/4 SPLIT LOCK WASHER - PACK OF 10	2
528	9120930	9/32 I.D. X 5/8 O.D. X .051/.080 THICK FLAT WASHER (1/4) - PK 10	2
529	9121250	1/4-20 X 3/4 HEX BOLT WITH NYLON PATCH - PACK OF 10	2
530	9120880	1/4 SPLIT LOCK WASHER - PACK OF 10	2
531	9120930	9/32 I.D. X 5/8 O.D. X .051/.080 THICK FLAT WASHER (1/4) - PK 10	2

FRONT MOUNT SQUEEGEE ASSEMBLY



WIRING DIAGRAM



PART NO.	PART DESCRIPTION	QTY.
0299661	STRAIN RELIEF CORD CLAMP	1
0891131	STRAIN RELIEF NUT	1
0299531	STRAIN RELIEF	1
0693231	CORD - 120 VOLT - STWA - 50 FT. - INCLUDES:	1
0298981	#10 RING TERMINAL 14-16 GAGE	2
5490161	FULLY INSULATED FEMALE TERMINAL 14-16 GAGE	2
0892709	INFIN-A-TEK VAC MOTOR - INCLUDES:	1
4991361	FULLY INSULATED FEMALE TERMINAL 18-22 GAGE	2
0298981	#10 RING TERMINAL 14-16 GAGE	2
0892751	INSULATED BUTT SPLICE 22-18 GAGE	2
0891141	TOGGLE SWITCH - INCLUDES:	1
0798941	9/16" HEX NUT	1
0892141	TOGGLE SWITCH INSULATOR	1

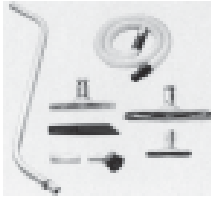
NOTES

ACCESSORIES



PART NO.
1801802 **PART DESCRIPTION**
BP RANGER POWERHEAD 115 VOLT

3098309 ALL PURPOSE WET / DRY TOOL KIT - INCLUDES:
2594011 10 FOOT SPIRAL FLEX HOSE
5790469 2 PIECE STEEL WAND
5797011 15" SQUEEGEE TOOL WITH WHEELS
5790241 16" BARE FLOOR TOOL
5797031 16" CARPET TOOL
5790111 2 1/2 ROUND BRUSH
5790291 CREVICE TOOL
5790301 9" WALL BRUSH
5790311 UTILITY NOZZLE
3191469 HI-UP EXTENSION TUBE KIT - PLASTIC (2-PIECES)



3098329 BASIC WET PICK-UP KIT - INCLUDES:
3092179 14" URETHANE SQUEEGEE TOOL
2290209 STEEL WAND
2595101 10 FOOT SUPER FLEX HOSE WITH SWIVEL CUFF

3098259 FRONT MOUNT SQUEEGEE ASSEMBLY



0891939 DYNEL FILTER BAG ASSEMBLY



NSS Enterprises, Inc.
3115 Frenchmens Road
Toledo, Ohio 43607-2958
USA

PHONE (800)677-1663
(419)531-2121
FAX (419)531-3761
mailus@nss.com
www.nss.com

NSS Enterprises, Inc. European Distribution Centre
Unit II, Pinfold Trading Estate
55 Nottingham Road
STAPLEFORD, NOTTINGHAM NG9 8AD ENGLAND U.K.

PHONE (44)0115 939 1568
FAX (44) 0115 949 0615