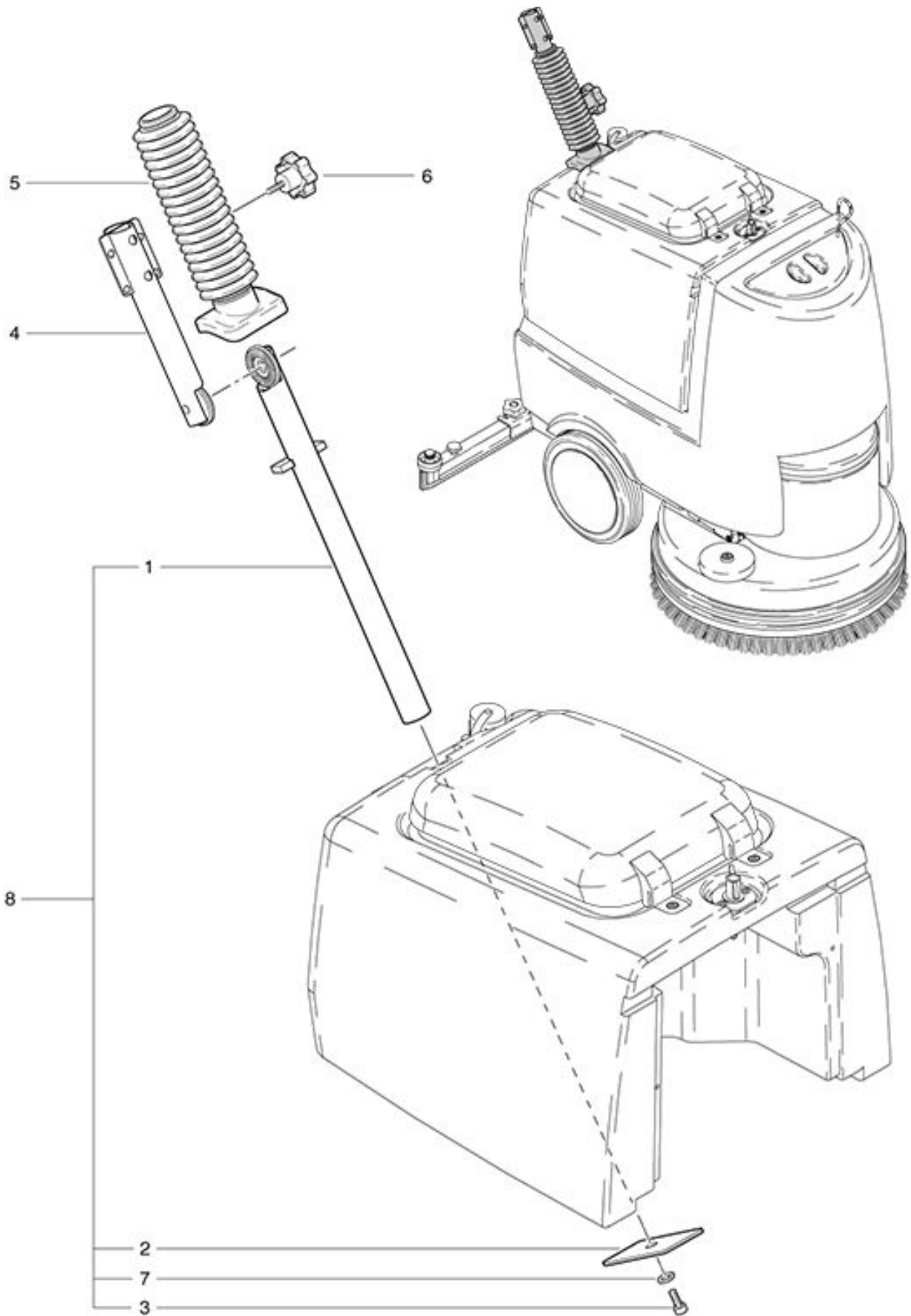


Angled tube

As at: 01/25/10 Time:19:18



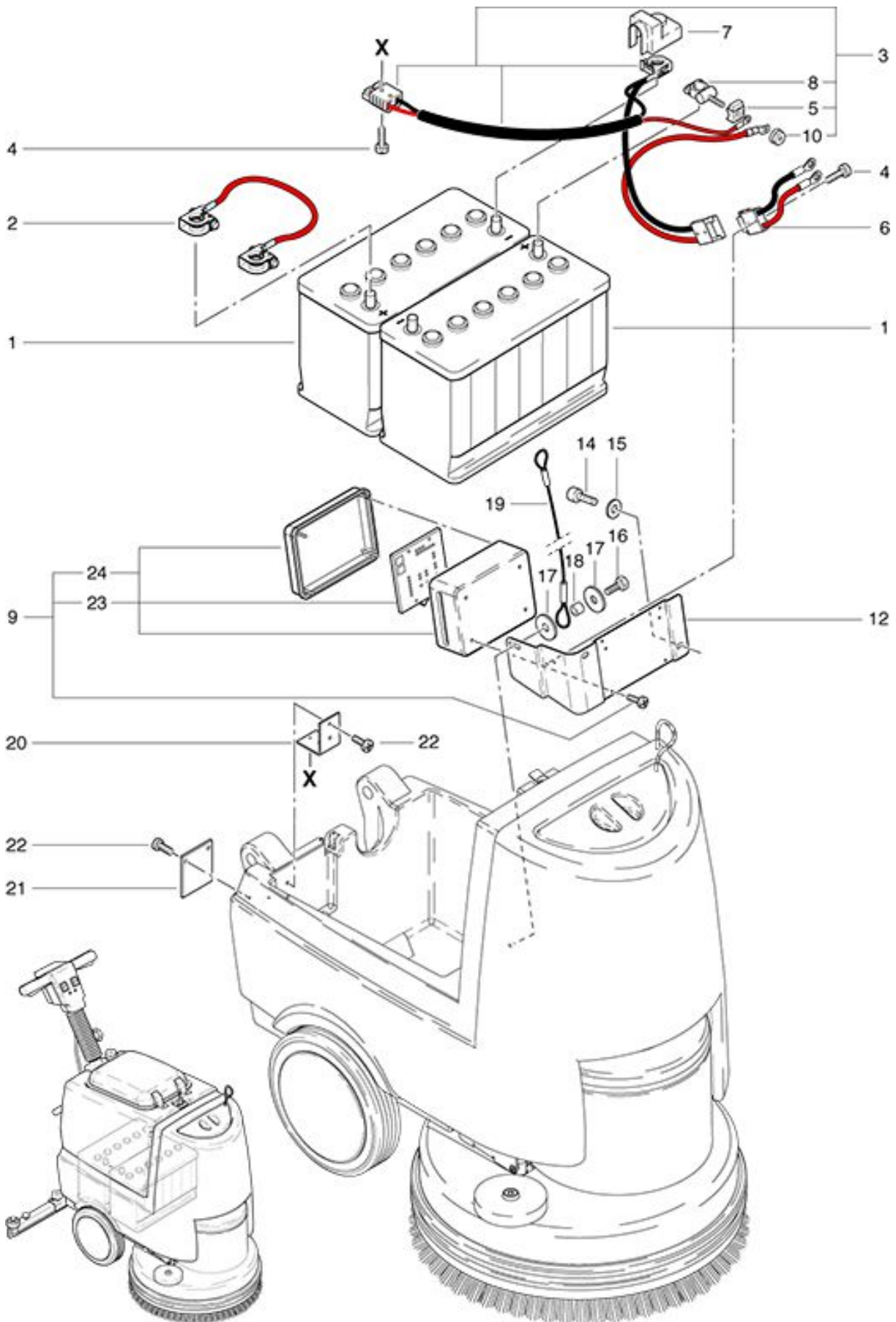
Angled tube

As at: 01/25/10 Time:19:18

Pos.	Description	Reference
01	Lower angled tube	436.253
02	Disk	436.340
03	Cylindrical screw M 10x35	P...487 HA
04	Upper handle tube swivelling	432.410
05	Protection	432.405
06	Star handle Ø 62/M 8	P...253 K
07	Serrated lock washer M 10	P...498 F
08	Up to Masch.No 8812-001 complete order: Pos.1,2,3 and 7	-

Batterie assembling

As at: 01/25/10 Time:19:19



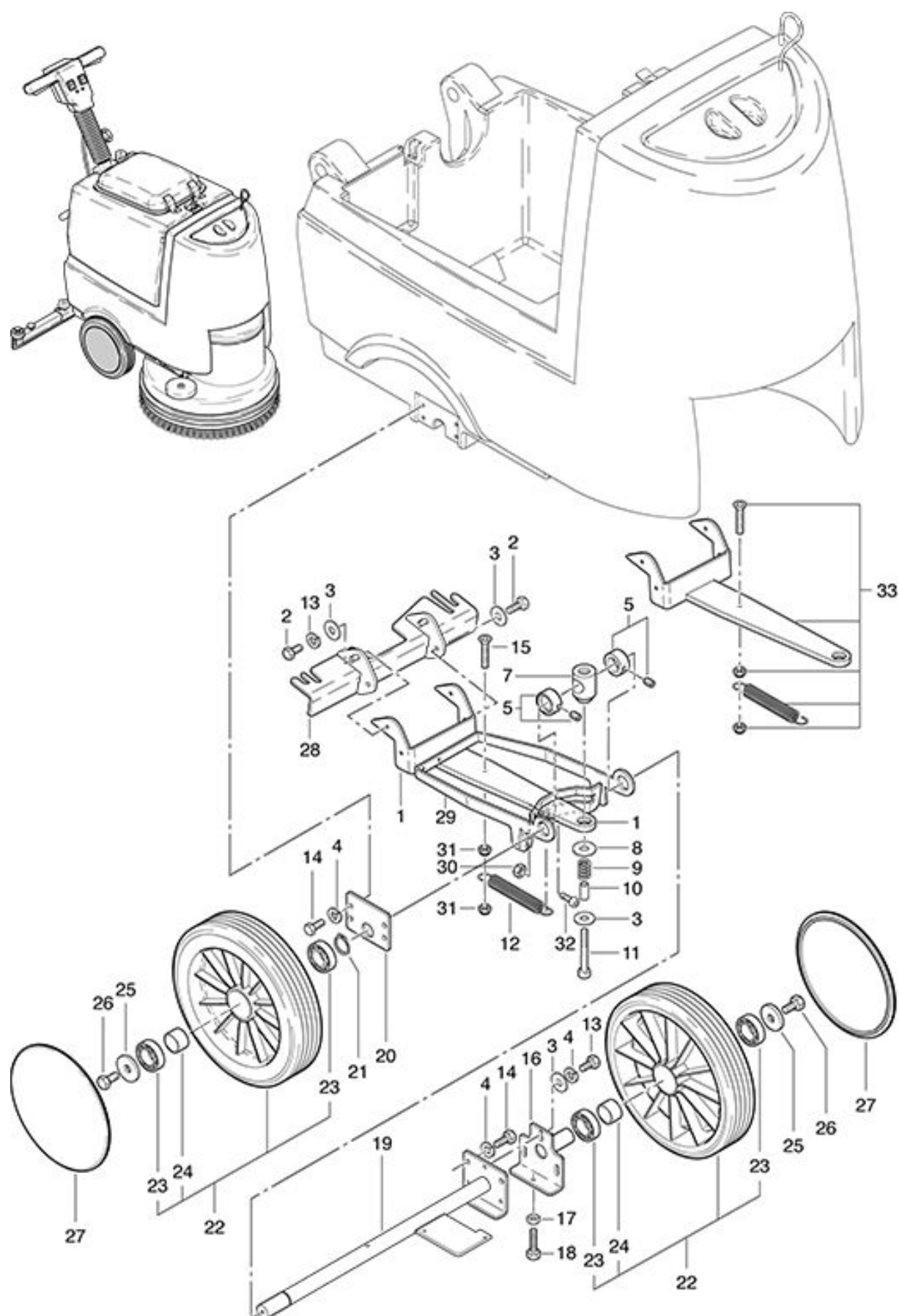
Batterie assembling

As at: 01/25/10 Time:19:19

Pos.	Description	Reference
01	Set of Gel batteries 2x12V / 70 Ah (5 hours)	500.091
02	Battery connecting cable	436.995
03	Battery cable tree of complete inclusive pos. 5, 8+10	436.994
04	Pan head screw M 4x20	P...472 F
05	Fuse CF8, 75 A	560.710
06	Load plug wiring harness	436.713
07	Pole cover	P...357 D
08	Battery clamp 1-polig	P...357 E
09	Control box compl. inclusive pos. 23+24	436.770 A
10	Isolating nut/mother for CF8	710.353
12	Carrier control box	436.773
14	Cylindrical screw M 6x20	P...486 P
15	Washer M 6	P...496 L
16	Hexagon screw M 6x16	P...470 T
17	Washer M 6	P...497 Y
18	Distance washer	742.129
19	Polyester-hurry	436.447
20	Support angle	436.109
21	Plug cover	560.622
22	Filister-head screw M 5x10	P...481 Z
23	Print control	436.776
24	El. box Cleanfix	436.774

Chassis and Wheel

As at: 01/25/10 Time:19:20



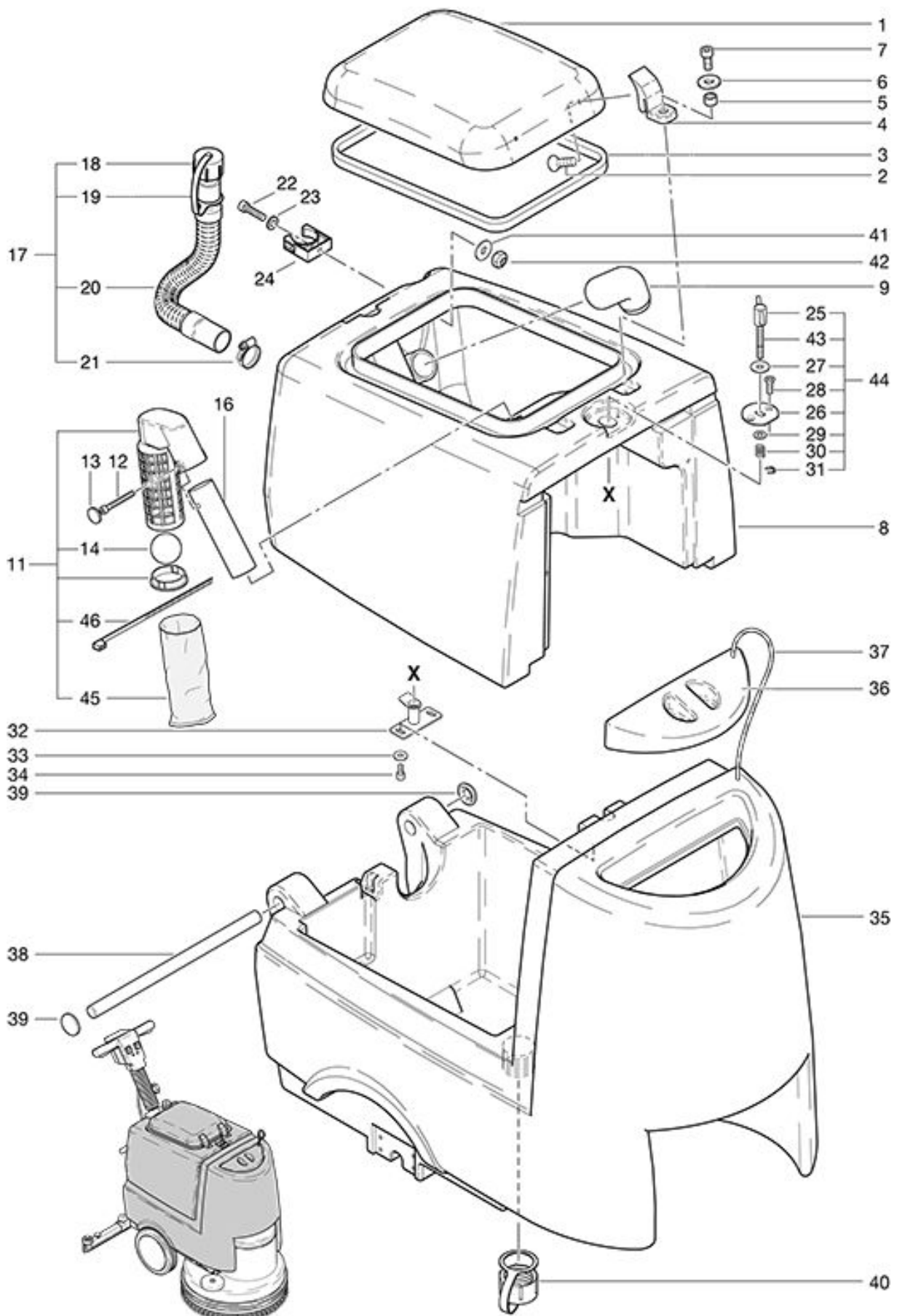
Chassis and Wheel

As at: 01/25/10 Time:19:20

Pos.	Description	Reference
01	Lever	432.082
02	Hexagon screw M 6x12	P...470 R
03	Washer M 6	P...496 L
04	Spring washer m 6	P...498 U
05	Tension ring with thred pin Ø 10/20/10	P...335
07	Ball stud	432.063
08	Washer M 10/10.5/30/2.5	P...496 S
09	Compression spring Ø 12.5x22	432.083
10	Distance washer	432.081
11	Cylindrical screw M 6x40	P...486 Y
12	Spring	432.084 A
13	Hexagon screw M 6x10	P...471 Z
14	Hexagon screw M 6x16	P...470 T
15	Countersunk screw M 6x25	P...480 W
16	Clamping plate adjustably	432.061
17	Hexagon nut M 6	P...490 D
18	Hexagon screw M 6x20	P...470 X
19	Axle compl.	501.060
20	Clamping plate	432.062
21	Security ring Ø 20	P...513 EA
22	Wheel complete, including Items 23+24	530.240
23	Ball bearing	P...316 R
24	Distance piece	530.246
25	Washer 6/25x1.8	P...497 Y
26	Hexagon screw M 6x12	P...470 R
27	Wheel cover	530.242
28	Nozzle support angle	432.380
29	Nozzle holder	432.080
30	Hexagon nut M 8	P...490 D
31	Locknut M 6	P...493 K
32	Hexagon screw M 8x16	432.079
33	Lever compl. up to Masch. No. 8820.001	432.075

Clean water tank and Waste water tank

As at: 01/25/10 Time:19:21



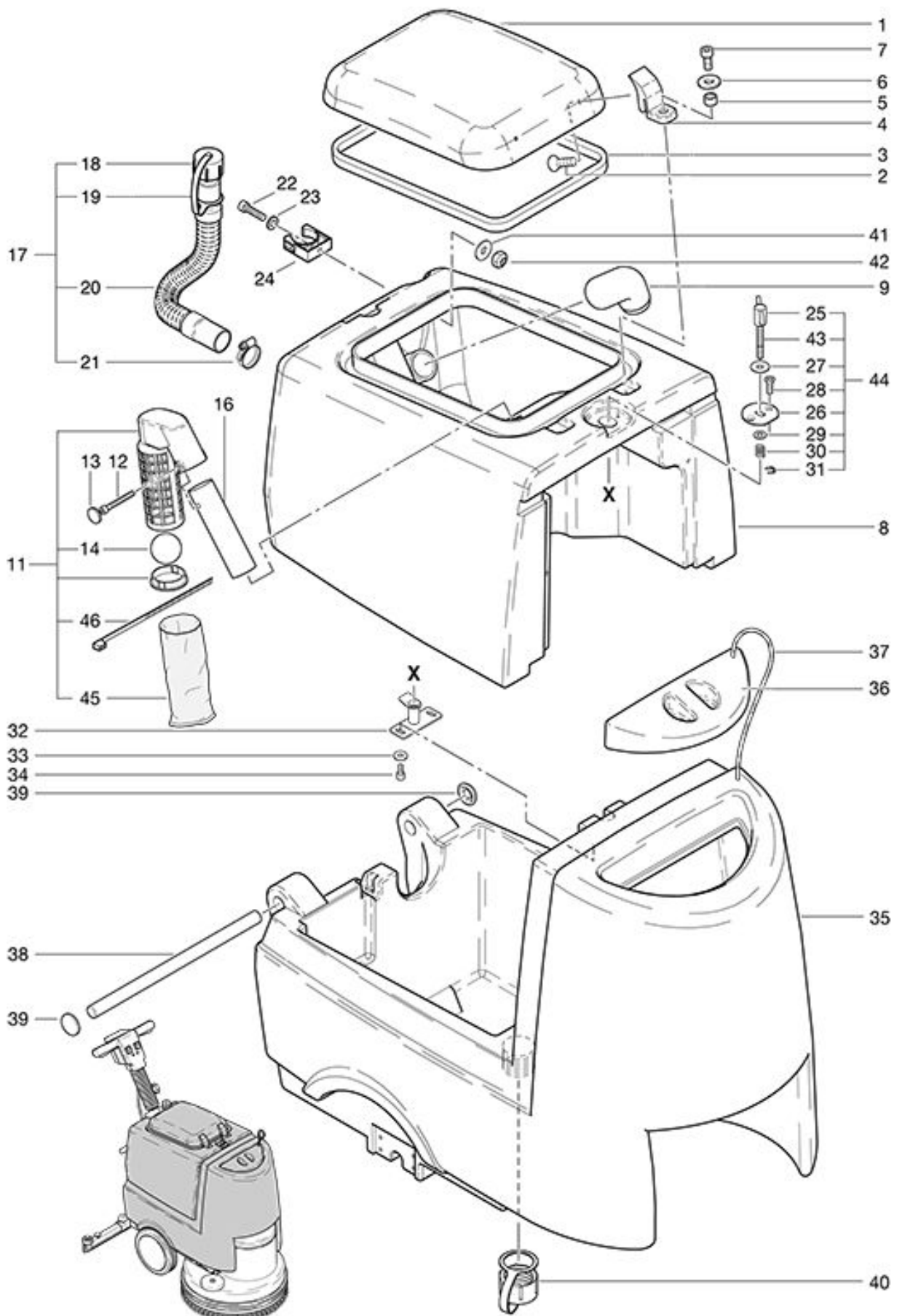
Clean water tank and Waste water tank

As at: 01/25/10 Time:19:21

Pos.	Description	Reference
01	Cover	710.120
02	Countersunk screw M 4x8	P...480 O
03	Seal for cover	710.121
04	Hinge	710.122
05	Distance piece	430.618
06	Washer M 6	P...497 K
07	Cylindrical screw M 5x12	P...488 B
08	Waste water tank	436.200
09	Angled piece	560.674
11	Float basket kompl.	432.300
12	Cylindrical screw M 6x50	P...477 Y
13	Straight-knurled knobs for I-6kt. POM black M 6/10/20/7.5	P...494 X
14	Ball Ø 45 mm	432.304
16	Suction tube to blower	432.205
17	Discharge hose complete, including Items 18-21	710.126 A
18	Cover for hose socket	500.410
19	Hose socket	500.409
20	Discharge hose	710.126 A
21	Hose clamp	P...206 D
22	Cylindrical screw M 5x25	P...488 K
23	Washer M 5	P...497 G
24	Hose clamp	P...109 A
25	Wing nut	P...174
26	Edition to catch	436.221
27	Washer m 8x24	P...497 T
28	Countersunk screw	P...480 P
29	Washer M 8x16	P...496 P
30	Compression spring	436.228
31	Snap ring Ø 6 mm	P...500 K
32	Tank adjustment	432.407
33	Washer M 5x15	P...496 G
34	Filister-head screw	P...481 Z
35	Clean water tank	436.100
36	Freshwater tank cover	432.115
37	Cord Ø 3x260 mm	432.750
38	Axle	436.220
39	Guard ring with cap	P...499 L
40	Cover of complete for execution	432.110
41	Washer M 5	P...496 G
42	Security nut M 5	P...493 G
43	Threaded pin	436.226
44	Catch comp. including items 25-31 + 43	436.225
45	Filter bag	432.315
46	Cable tie 2.4 mm x 203 mm	P...609 B

Clean water tank and Waste water tank

As at: 01/25/10 Time:19:21



Clean water tank and Waste water tank

As at: 01/25/10 Time:19:21

Pos.	Description	Reference
01	Cover	710.120
02	Countersunk screw M 4x8	P...480 O
03	Seal for cover	710.121
04	Hinge	710.122
05	Distance piece	430.618
06	Washer M 6	P...497 K
07	Cylindrical screw M 5x12	P...488 B
08	Waste water tank	436.200
09	Angled piece	560.674
11	Float basket kompl.	432.300
12	Cylindrical screw M 6x50	P...477 Y
13	Straight-knurled knobs for I-6kt. POM black M 6/10/20/7.5	P...494 X
14	Ball Ø 45 mm	432.304
16	Suction tube to blower	432.205
17	Discharge hose complete, including Items 18-21	710.126 A
18	Cover for hose socket	500.410
19	Hose socket	500.409
20	Discharge hose	710.126 A
21	Hose clamp	P...206 D
22	Cylindrical screw M 5x25	P...488 K
23	Washer M 5	P...497 G
24	Hose clamp	P...109 A
25	Wing nut	P...174
26	Edition to catch	436.221
27	Washer m 8x24	P...497 T
28	Countersunk screw	P...480 P
29	Washer M 8x16	P...496 P
30	Compression spring	436.228
31	Snap ring Ø 6 mm	P...500 K
32	Tank adjustment	432.407
33	Washer M 5x15	P...496 G
34	Filister-head screw	P...481 Z
35	Clean water tank	436.100
36	Freshwater tank cover	432.115
37	Cord Ø 3x260 mm	432.750
38	Axle	436.220
39	Guard ring with cap	P...499 L
40	Cover of complete for execution	432.110
41	Washer M 5	P...496 G
42	Security nut M 5	P...493 G
43	Threaded pin	436.226
44	Catch comp. including items 25-31 + 43	436.225
45	Filter bag	432.315
46	Cable tie 2.4 mm x 203 mm	P...609 B

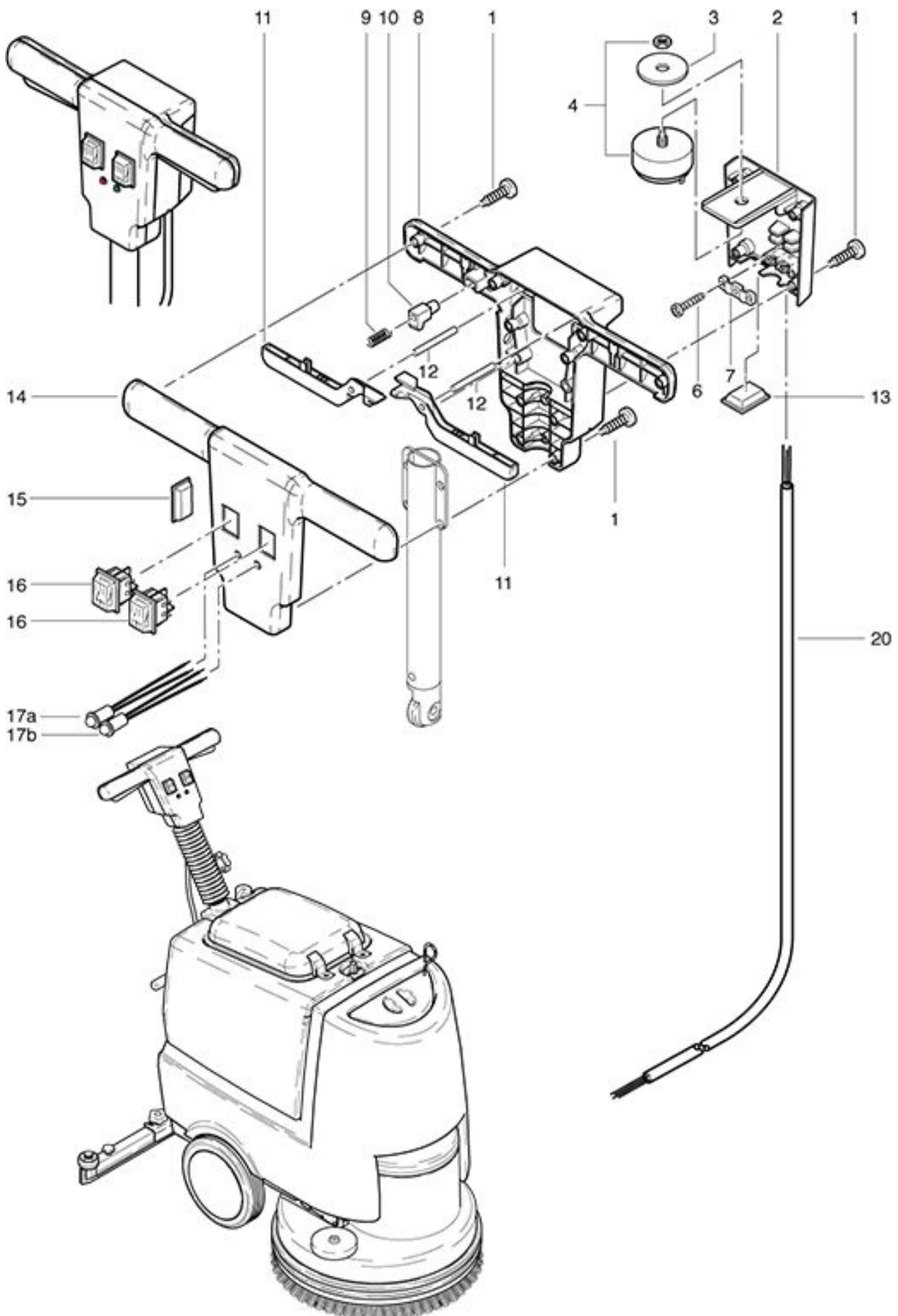
Drive and waterdistribution

As at: 01/25/10 Time:19:21

Pos.	Description	Reference
01	Distribution tube	432.166
02	Hexagon nut M 20x1.5	P...492 R
03	Washer M 20/20.5x40	P...498 Q
04	Belt wheel pre-mounts including items 5-18	742.126
05	Drive pulley complete, including items 6-9	742.130
06	Can	432.507
07	O-ring 25x2.62	P...964 A
08	Ball bearing	P...316 Q
08a	Ball bearing	P...316 P
09	Intermediate ring	3611851
10	Main axle	741.125
11	Security ring Ø 25	P...513 D
12	Distance ring 46x99x1	430.136
13	Star wheel	742.141
14	V-profile ring	P...343 A
15	O-ring 52x2.62	P...964 B
16	Brush support	430.157
17	Distance ring 6/8x4 mm	742.129
18	Cylindrical screw M 6x20	P...487 S
19	Idler compl.	742.116
20	Groove nut	720.125
21	Support	720.128
22	Thread pin I-6kt. M 6x25	P...513 K
23	Federation tap	720.127
24	Idler	742.117
25	Ball bearing	P...316 O
26	Security ring	P...513 G
27	Washer M 8	P...496 Q
28	Cylindrical screw M 8x25	P...487 T
29	Rib tape	720.115
30	Cover plate	501.517
31	Tapping screw K 50x25	P...515 LA
32	Fillister-head screw M 5x16	P...476 E
33	Distance stops	501.521

Handle

As at: 01/25/10 Time:19:22



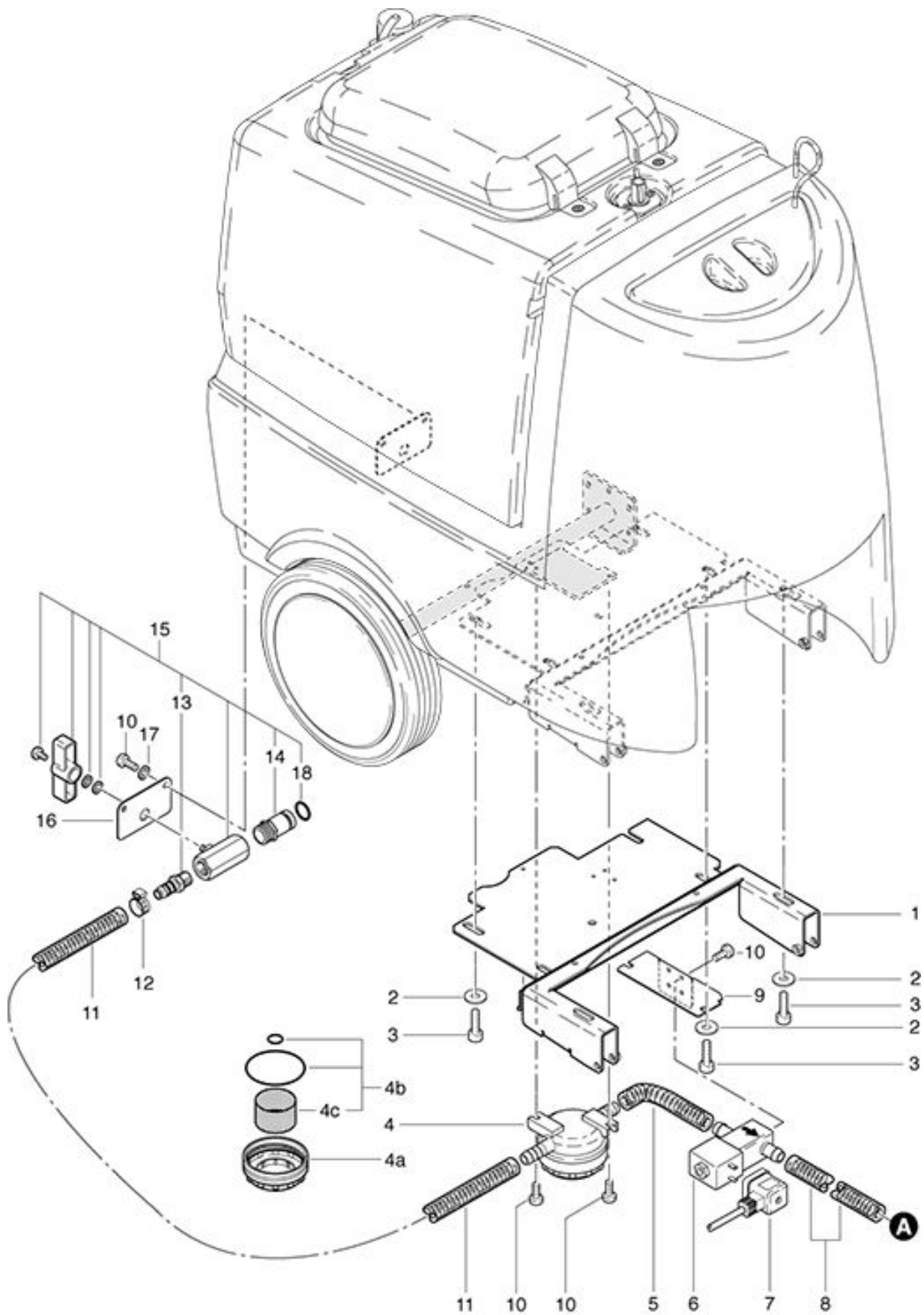
Handle

As at: 01/25/10 Time:19:22

Pos.	Description	Reference
01	PT screw KA 50x25	P...515 L
02	Rear handle cover	741.310
03	Washer M 12/13/37/3	P...496
04	Switch (2)	6650454
06	Screw M 5x20	P...515 K
07	Cable clamp	742.321
08	Rear handle housing	436.324
09	Pressure spring	742.209
10	Button	742.208
11	Switch handle	741.204
12	Cylindrical pin Ø 6x50	P...512 M
13	Cover black	741.216
14	Front handle housing	436.310
15	Cover	P...171 O
16	Tumbler switch 24 V	P...241
17a	LED red 2.1 V	P...418 A
17b	LED green 2.1 V	P...418 A
20	Cable tree for pushbar	436.319

Magnetic valve and Filter assembling

As at: 01/25/10 Time:19:22



Magnetic valve and Filter assembling

As at: 01/25/10 Time:19:22

Pos.	Description	Reference
01	Girder sheet metal	436.052
02	Washer M 6	P...496 L
03	Hexagon screw M 6x12	P...486 Q
04	Filter compl.	430.759 A
04a	Filter cover	430.258
04b	Filter kit	430.759 A
04c	Filter	430.759 B
05	Hose 95 mm	501.091
06	Magnetic vale 24 V	P...258
07	Cable for magnetic valve	436.710
08	Hose 225 mm	432.152
09	Valve support plate	501.233
10	Truss head screw M 5x10	P...481 Z
11	Hose 390 mm	432.151
12	Hose clip 19.8-706R	P...550 N
13	Straight nipple	P...519 B
14	Nipple	432.087
15	Valve complete	432.085
16	Disk to ball valve	432.088
17	Serrated lock washer M 5	P...498 D
18	O-ring	P...960 O

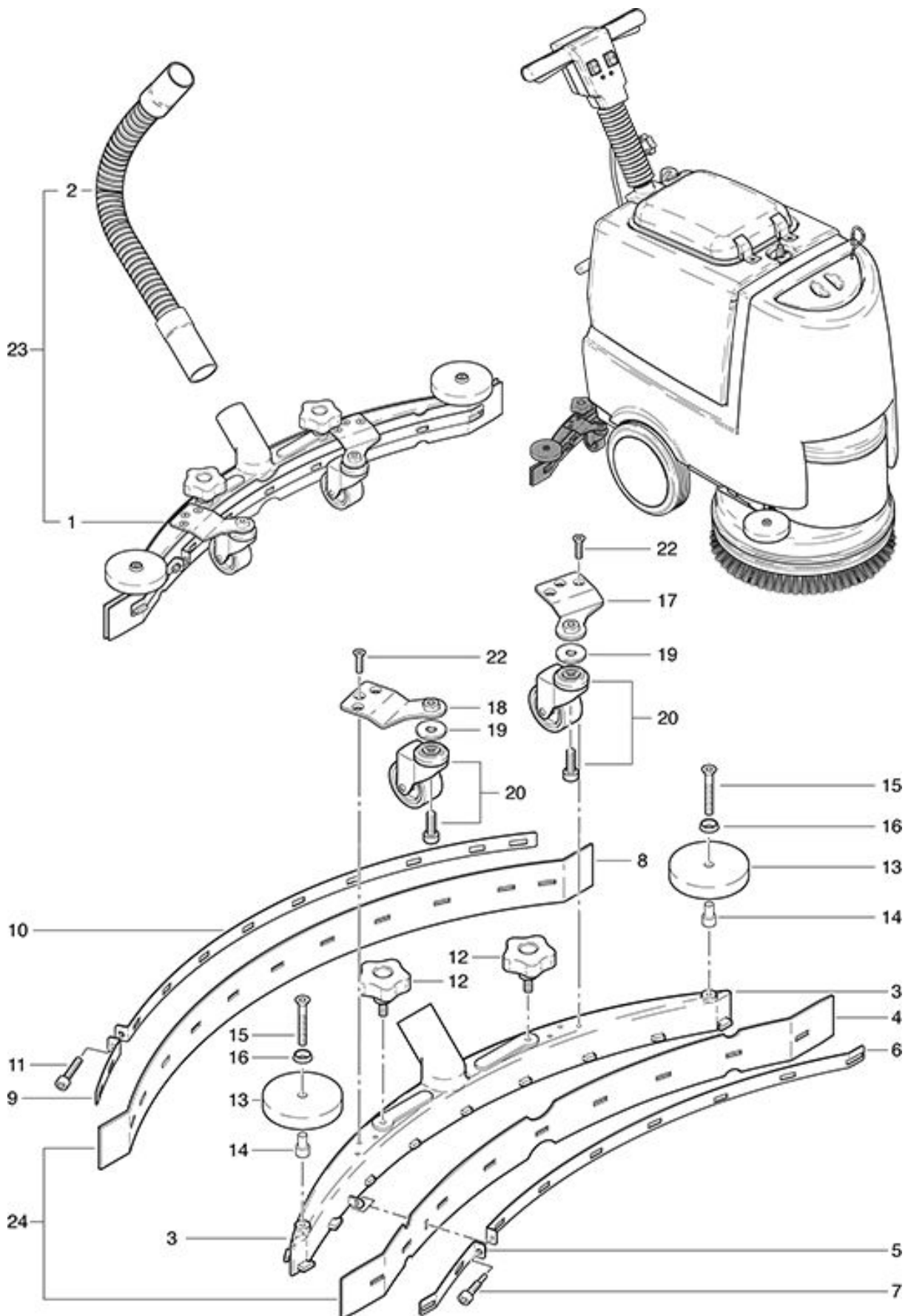
Motor

As at: 01/25/10 Time:19:23

Pos.	Description	Reference
01	Cover	748.067 O
02	Cover	501.510
03	PT-screw KA 50x24	P...515 L
04	Motor complete 24 V / DC 800 W	470.121
05	Drive disk	501.502
06	Hold bolt	432.505
07	Washer M 8	P...496 P
08	Hexagon nut M 8	P...492 H
09	Shock protection	501.515
10	Hexagon screw M 8x16	P...471 D
11	PT-screw KA 50x10	P...515 LA
12	Washer M 5	P...496 G
13	Distance ring	432.515
14	Washer M 8/25/4.8 mm	P...500 T
15	Fender wheel Ø 90 mm	510.127
16	Distance ring	432.508
17	Hexagon screw M 8x45	P...488 U
19	Protective switchgear 25 A	470.355
20	Motor cable	436.314
21	Pass shoulder screw 8x285 M6x6	432.521
22	Compression spring 56x18x2	436.520
23	Protective cap E-T-A	500.957 A

Suction nozzle curved

As at: 01/25/10 Time:19:23



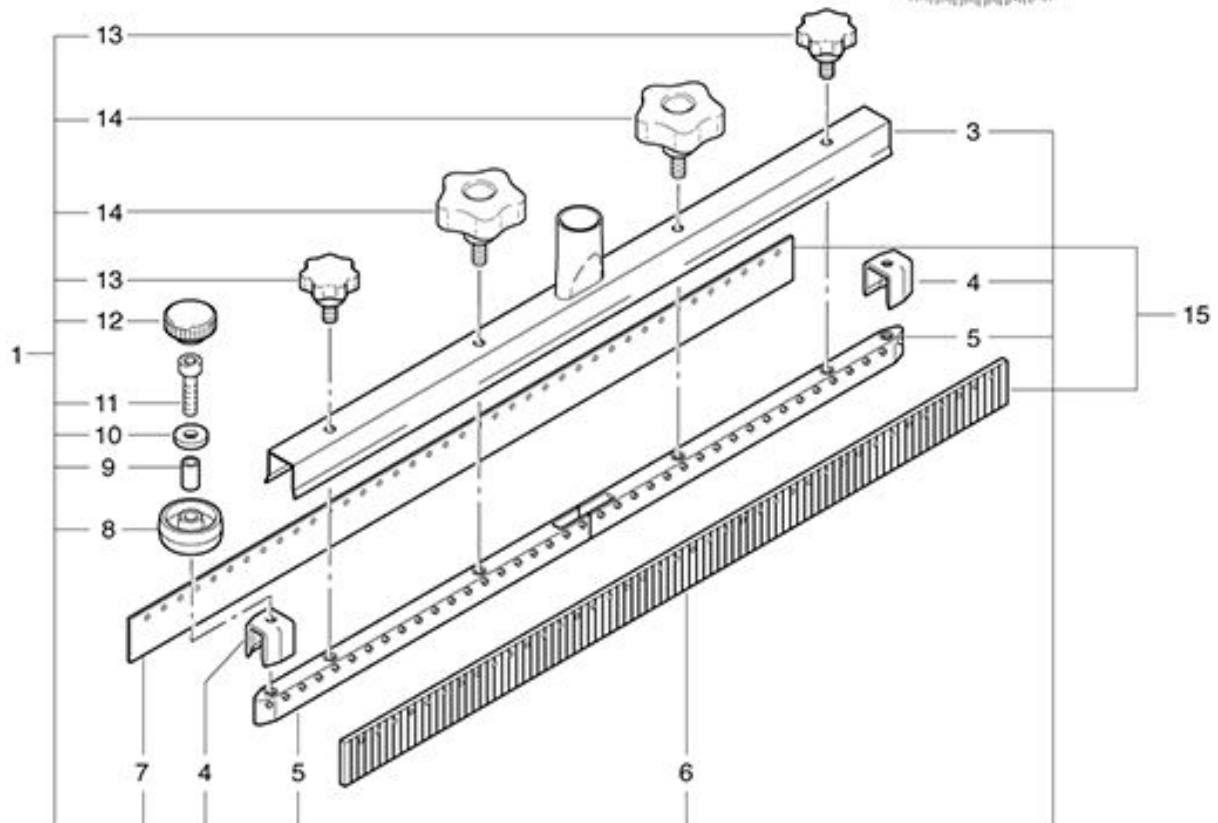
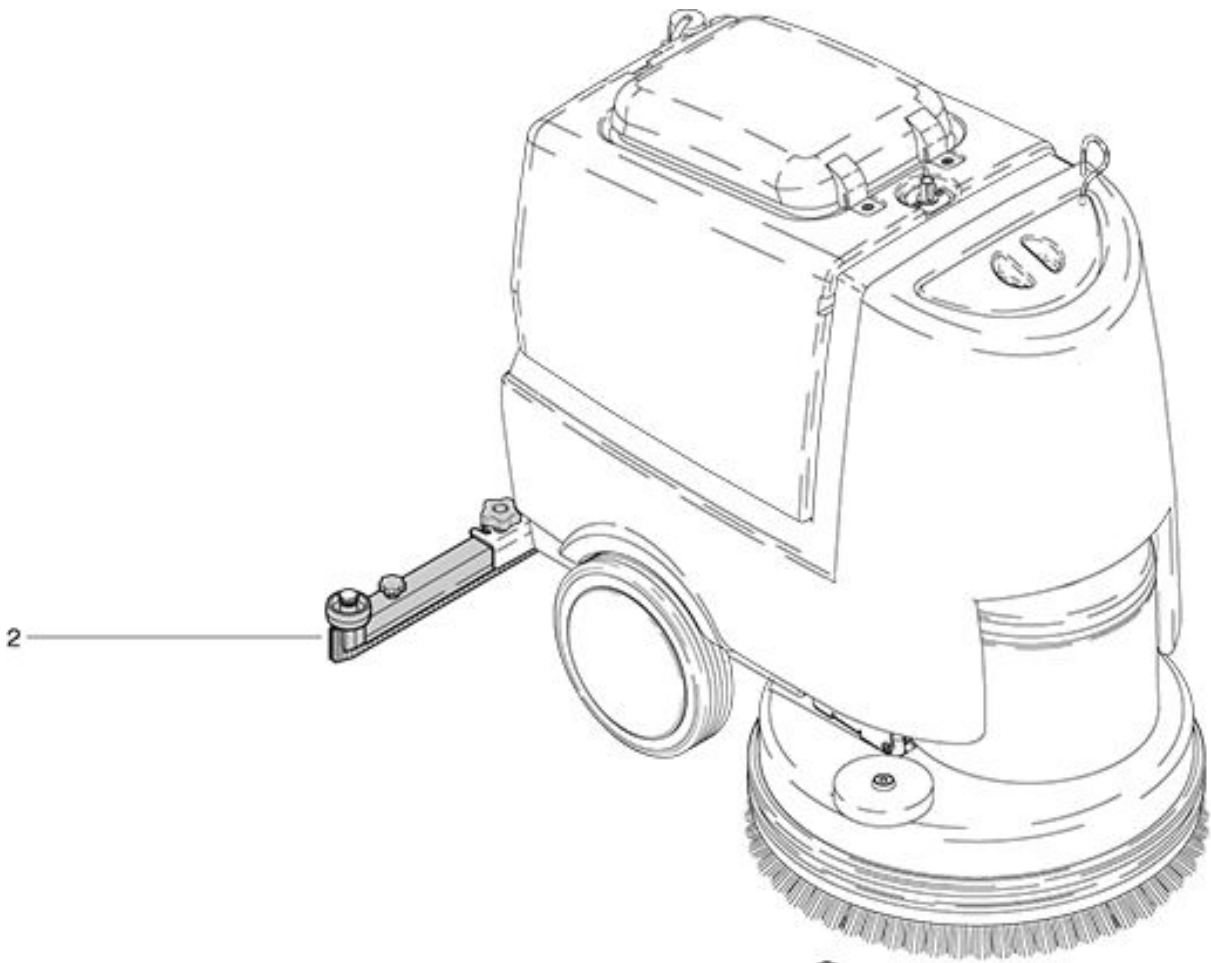
Suction nozzle curved

As at: 01/25/10 Time:19:23

Pos.	Description	Reference
01	Suction nozzle curved compl. including items 3-22	432.550
02	Hose complete	470.832
03	Suction nozzle body	432.555
04	Suction lip in front, grey 3 mm	432.602
05	Support plate small, in front	432.561
06	Support plate in front	432.563
07	Set screw	800.425
08	Suction lip rear, 3 mm	432.603
09	Support plate small in the back	432.564
10	Support plate in the back	432.562
11	Cylindrical screw M 6x25	P...488 Q
12	Star handle Ø 62 mm	P...253 J
13	Fender wheel Ø 90 mm	510.127
14	Distance ring	432.508
15	Countersunk screw M 8x45	P...479 P
16	Disk for countersunk screw	P...500 T
17	Role owner left	432.553
18	Role owner on the right	432.554
19	Carrosserie disk Ø 8,4x30/1,5	P...500 N
20	Castor compl.	P...209 B
22	Countersunk screw M 6x16	P...487 W
23	Suction nozzle with dust extraction hose of complete stock from pos. 1+2	432.031
24	Suction lips set, oil and fatsteadily	432.551
24	Suction lips set, standard	432.552

Suction nozzle even

As at: 01/25/10 Time:19:24



Suction nozzle even

As at: 01/25/10 Time:19:24

Pos.	Description	Reference
01	Suction nozzle even 80 cm compl. including items 3-14	510.650
02	Suction nozzle even 80 cm compl. including items 3-15	501.020
03	Clamping guide	430.602
04	Nozzle end piece	530.606
05	Nozzle insert	530.601
06	Rubber blade (brown)	530.603
07	Rubber blade (beige)	530.604
08	Fender wheel	450.364 F
09	Distance piece	530.609
10	Washer 6/16x1 mm	P...497 M
11	Cylindrical screw M 6x35	P...486 U
12	Screw knob M 6x20	P...494 X
13	Star handle	530.607
14	Star handle Ø 62 mm	P...253 J
15	Suction lips set, standard	530.080
15	Suction lips set, oil and fatsteadily	560.080

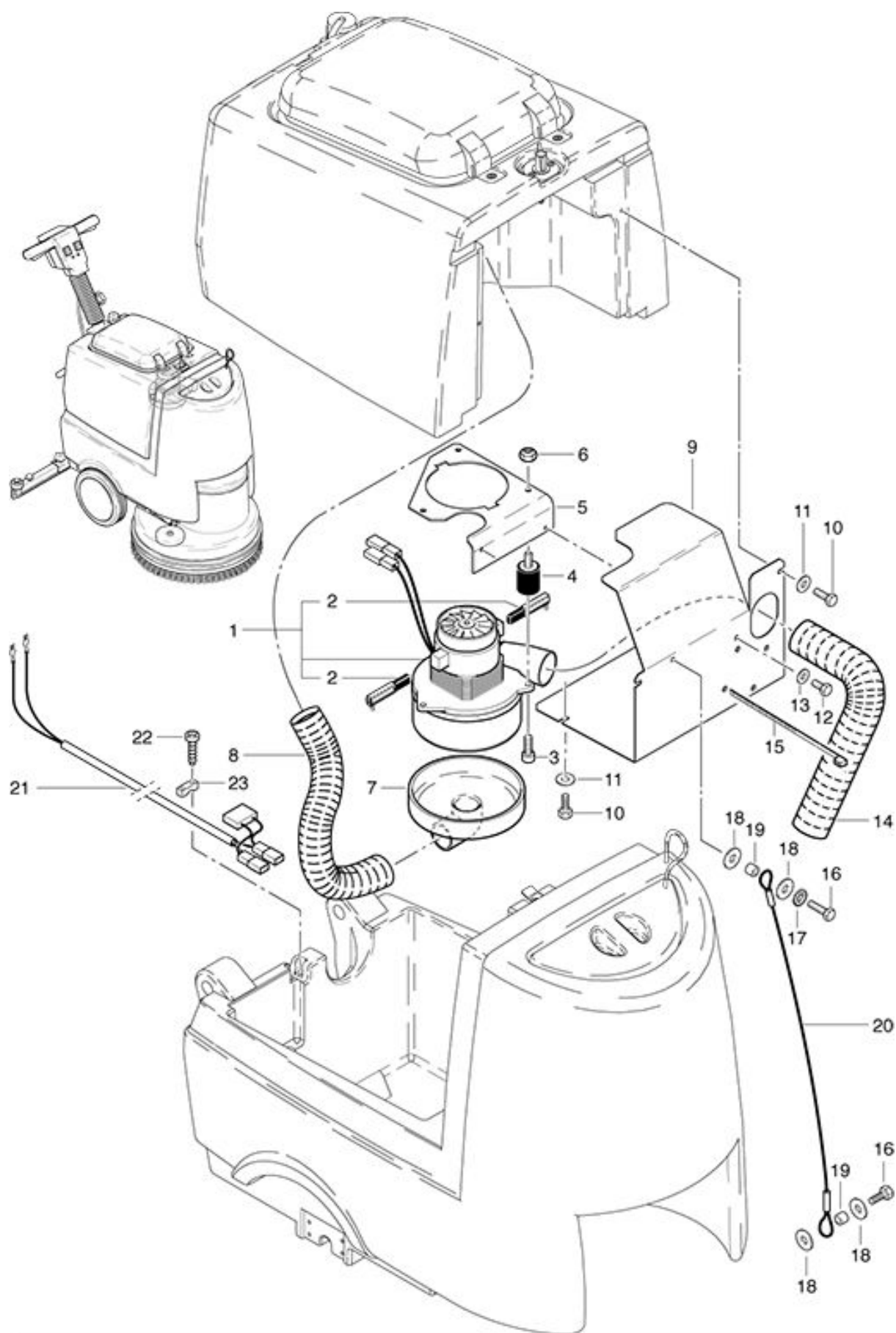
Suction nozzle removal

As at: 01/25/10 Time:19:24

Pos.	Description	Reference
01	Hose complete	470.831
05	Lever to suction nozzle	432.365
06	Axle	432.361
07	Lock washer	P...499 Q
08	Fillister-head screw M 5x10	P...481 Z
09	Washer M 5	P...496 G
10	Lifting bar	432.370
11	Hauling cable RA 431 B	436.817
12	Washer M 5	P...496 K
13	Distance piece	430.618
14	Hexagon screw M 5x12	P...472 F
15	Distance piece	P...509 J
16	Cable entry	432.362

Vacuum motor assembling

As at: 01/25/10 Time:19:25



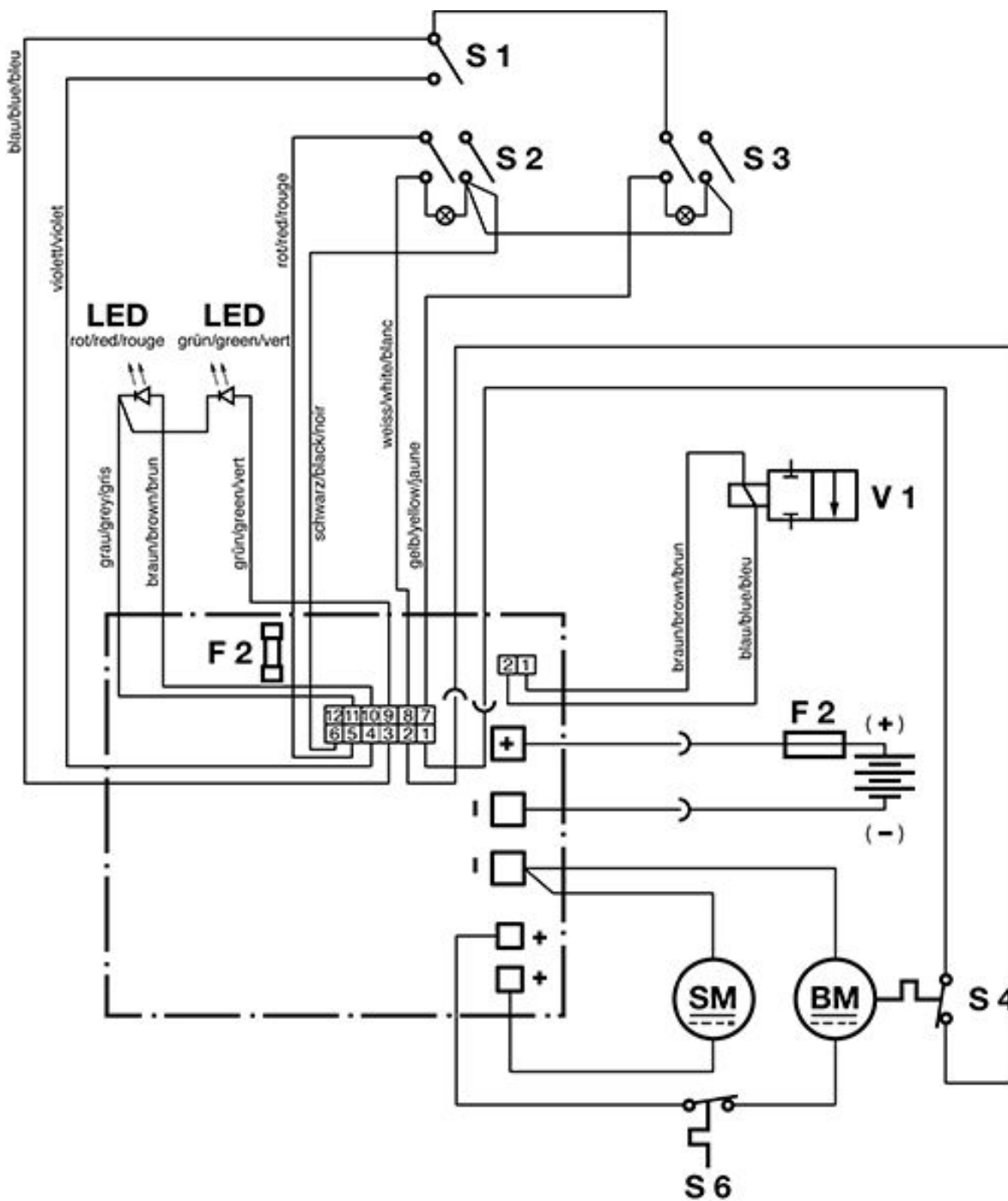
Vacuum motor assembling

As at: 01/25/10 Time:19:25

Pos.	Description	Reference
01	Vacuum motor 24 V/400 W	440.206
02	Pair of carbon brushes	P...870 KB
03	Cylindrical screw M 6x12	P...486 Q
04	Round buffer	400.217
05	Motor support	436.355
06	Locknut M 6	P...493 K
07	Top cap	470.490
08	Suction hose	436.353
09	Cover to blower	436.354
10	Hexagon screw M 6x10	P...471 Z
11	Washer M 6	P...496 S
12	Hexagon screw M 6x16	P...470 T
13	Washer M 6	P...497 K
14	Drain hose	470.488
15	Cable strap	P...424
16	Hexagon screw M 6x16	P...470 T
17	Washer M 6	P...499 D
18	Washer M 6x25	P...497 Y
19	Distance piece	742.129
20	Polyester-hurry 4x640 mm	436.447
21	Cable tree with capacitor	436.357
22	Fillister-head screw M 5x16	P...476 E
23	Cable clamp	4611085

Wiring diagram

As at: 01/25/10 Time:19:25



- S 1 = Schalter Bürstmotor / Switch for brush motor / Interrupteur pour moteur
- S 2 = Schalter Ventil / Valve - Switch / Interrupteur pour valve
- S 3 = Schalter Saugmotor / Suction motor switch / Interrupteur pour moteur
- S 4 = Motor Temperaturwächter / Motor Temperature switch
- S 6 = Motorschutzschalter 25 A / Motor-protection switch 25 A
- BM = Bürstmotor / Motor / Brush moteur
- SM = Saugmotor / Moteur d'aspiration / Vacuum motor
- V 1 = Ventil / Valve
- F 1 = Sicherung 3.15 A / Fuse 3.15 A / Fusible 3.15 A
- F 2 = Sicherung 75 A / Fuse 75 A / Fusible 75 A

Wiring diagram

As at: 01/25/10 Time:19:25

Pos.	Description	Reference
BM	Brush motor	436.121
F 1	Fuse 3.15 A	
F 2	Fuse 75 A	
S 1	Switch for brush motor	6650454
S 2	Valve - Switch	P...240
S 3	Suction motor switch	P...240
S 4	Motor temperature switch	
S 6	Motor-protection switch 25 A	
SM	Vacuum motor	440.206
V 1	Valve	P...258