

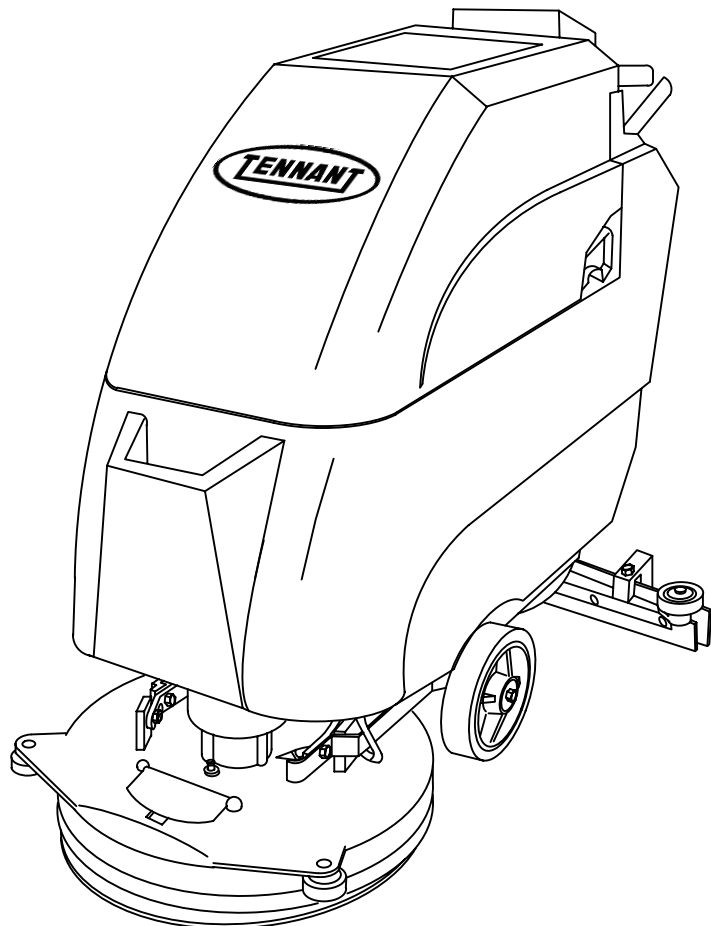


# 5300

Automatic Scrubber

Model No.:  
300000PAC  
300000  
603053

Operator and Parts Manual

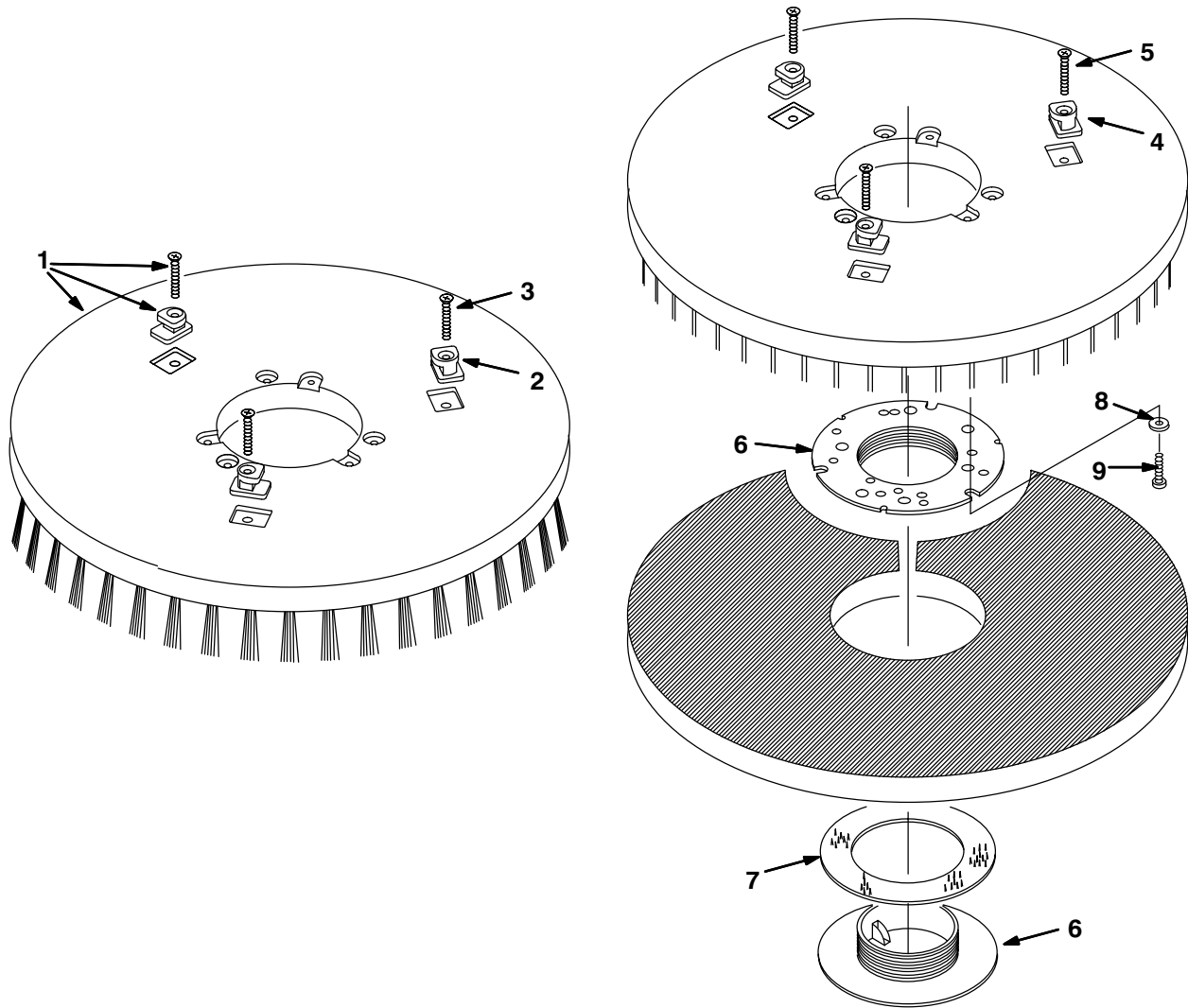


TENNANT COMPANY  
Commercial Products  
12875 RANSOM STREET  
HOLLAND MI 49424 U.S.A.

FAX: 1-800-678-4240  
CUSTOMER SERVICE: 1-800-982-7658

173420  
Rev. 03 (04-99)

Fig. 1 – Replacement Brushes



09139/09129

Fig. 1 – Replacement Brushes

Ref.	Part No.	Description	Qty.
▽ 1	222301	Brush Asm, 20" Nylon Plas Back	1
▲ 2	630214	Stud, 20" Brush/Pad Driver	3
▲ 3	140193	Screw, M6 X 1.0 X 40 FLHDCP	3
▽ 1	222300	Brush Asm, 20" Poly Plas Back	1
▲ 2	630214	Stud, 20" Brush/Pad Driver	3
▲ 3	140193	Screw, M6 X 1.0 X 40 FLHDCP	3
▽ 1	222302	Brush Asm, 20" Grit Plas Back	1
▲ 2	630214	Stud, 20" Brush/Pad Driver	3
▲ 3	140193	Scr-Flt M 6X1.0 40 4.8 Pltd	3
▽ 1	222303	Brush Asm, 20" Plas Back	1
▲ 4	630214	Stud, 20" Brush/Pad Driver	3
▲ 5	140193	Screw, M6 X 1.0 X 40 FLHDCP	3
▲ 6	630473	Center Lock, Pad Retainer	1
▲ 7	630472	Washer Brush Pad Retainer	1
▲ 8	140007	Washer, #8 Flat SAE	3
▲ 9	200 070 351	Screw, PANPHL M4 X 25	3

**Fig. 2 – Scrub Brush Drive Group**

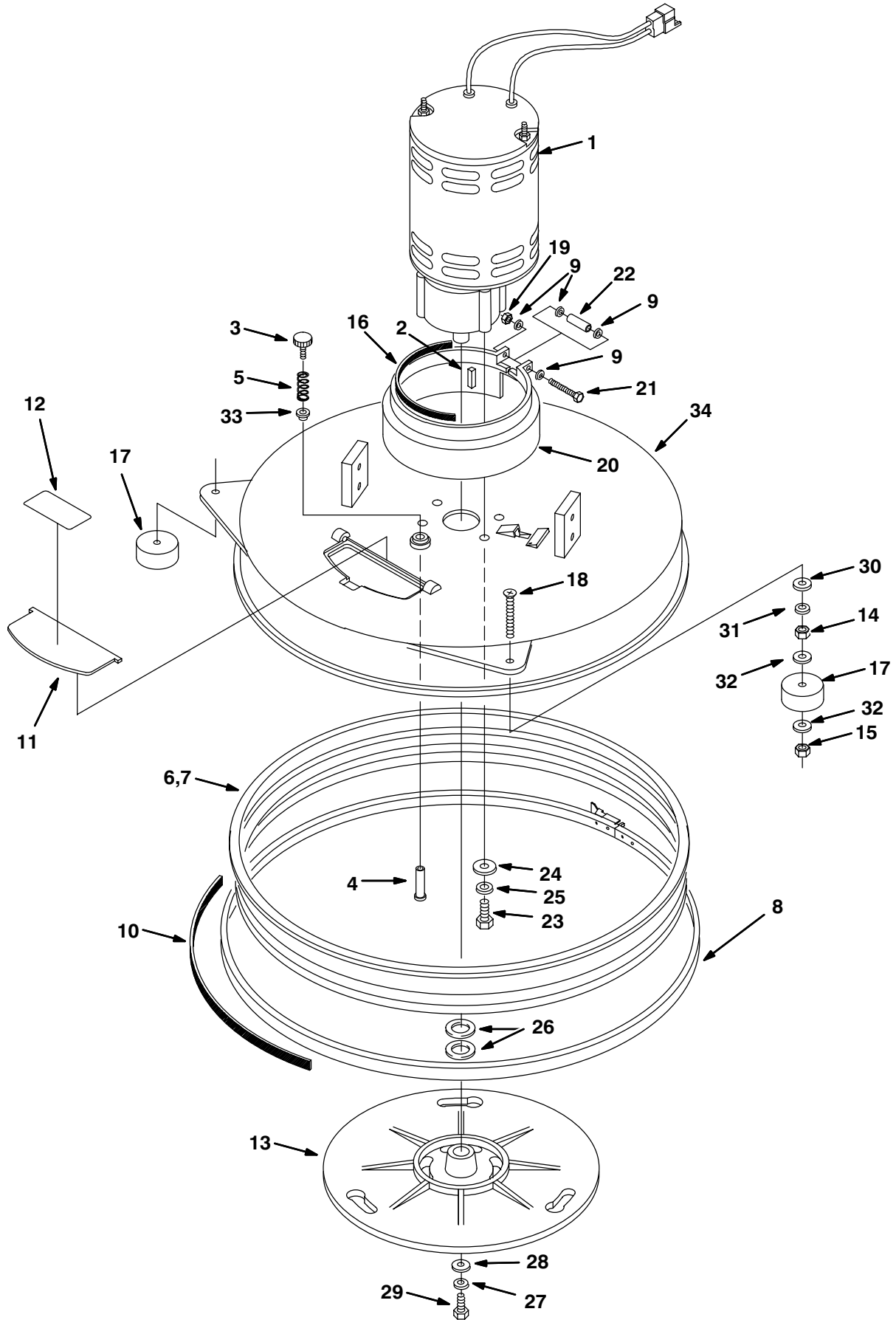


Fig. 2 – Scrub Brush Drive Group

Ref.	Part No.	Description	Qty.
▽ 1	630035	Motor, Ele, 24Vdc .75Hp 270Rpm (for breakdown see page 101)	1
▲ 2	630454	Key, Square .25 X 1.12 LG	1
3	603012	Knob, Hub Lock	1
4	630308	Pin, Head Stop	1
5	630310	Spring, Head Stop	1
6	630027	Skirt, Scrbr Head Std.	1
7	630506	Skirt, Scrbr Head, Heavy Duty	1
8	630049	Band Assy, Skirt Std.	1
	602 045 000	Band, Skirt Heavy Duty	1.6m
	602 044 000	Clasp, Band Heavy Duty	1
9	140012	Washer, 3/16 Flat	4
10	630613	Skid Strip, 1.524M/60" Standard Skirt	1
▽ 11	630603	Kit, Brush Door w/Decal	1
▲ 12	578769	Decal, Moving Parts Textless	1
13	630039	Hub, Drive, Brush, 20", Machnd	1
14	200 101 017	Nut, M8 X 1.25 HexJam	2
15	200 160 017	Nut, M8 HexLck	2
16	630475	Gasket, Water Deflector, 450Mm	1
17	579184	Wheel, Rubber, Dia51 X 22W	2
18	630430	Screw, M8 X 1.25 X 50Mm HxHdCp	2
19	579028	Nut Hxlocnyln M 6X1.0	1
20	630213	Deflector, Water	1
21	578 208 000	Screw, M6 X 1.0 X 55Mm HxHdCp	1
22	630272	Spacer, .28 X .38 X 1.3 Nylon	1
23	059 650 308	Screw, Hex .38–16X1.00	4
24	140028	Washer, Flat 3/8 USS	4
25	140017	Washer, Split Lock 3/8"	4
26	069 760 023	Washer, Flat, .77", 1.26, .03	2
27	140015	Washer, Split Lock 5/16"	1
28	069 764 631	Washer, Flat, 08.4MM, 25.4, 4.8	1
29	140219	Screw, 5/16–18 X 1 HxHdCp	1
30	14880.5	Washer, Flat 5/16	2
31	200 370 019	Washer, Lock, Int., 08.4ID	2
32	630446	Washer, Nylon, .31"	4
33	630309	Screw, Head Stop Pin	1
34	630026	Head, Scrubber 20"	1

Fig. 3 – Scrub Head Lift Group

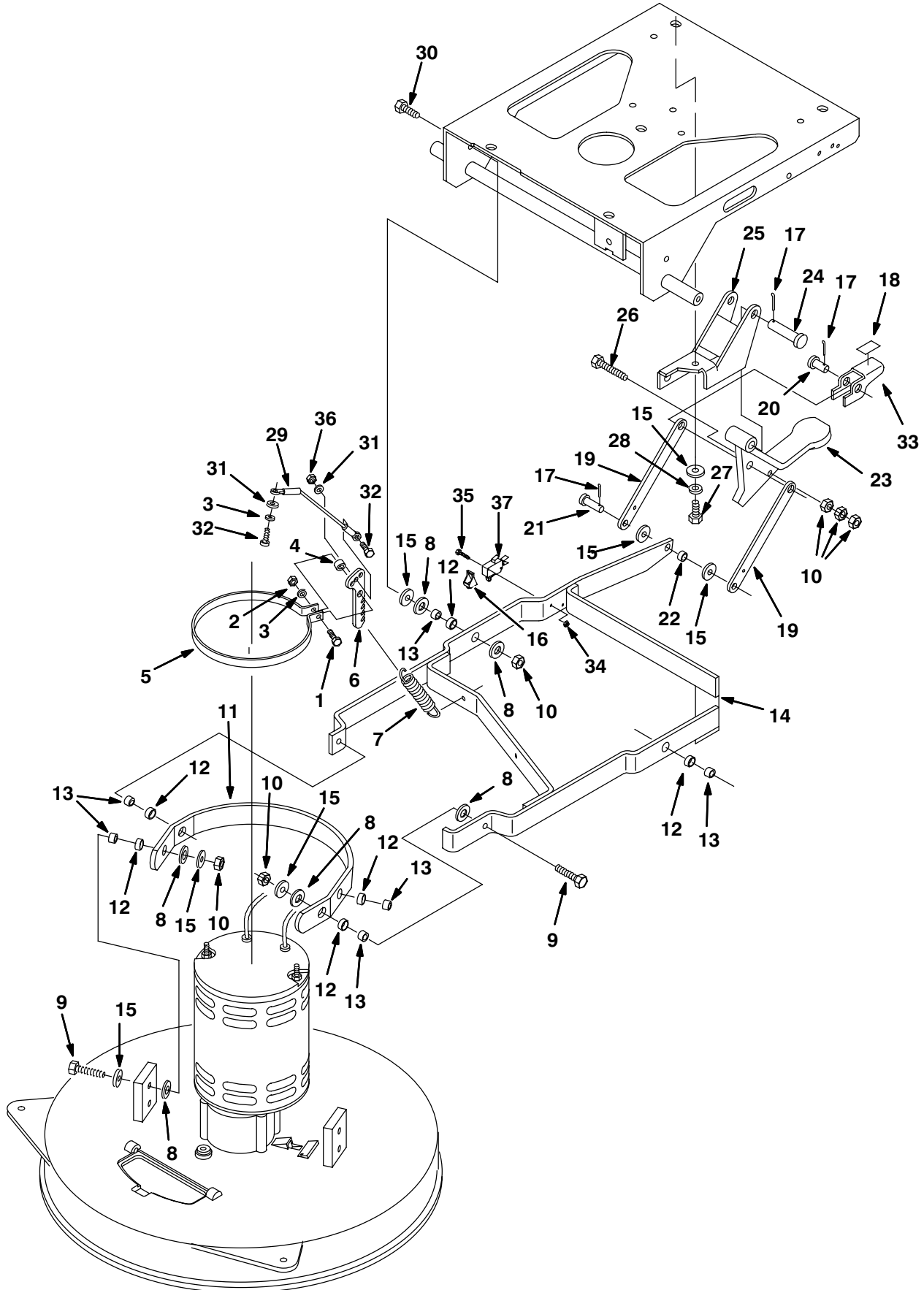


Fig. 3 – Scrub Head Lift Group

Ref.	Part No.	Description	Qty.
1	200 031 444	Screw, Hex M6 X 1.0 X 30, Zp	1
2	579029	Nut, Hx Std M6 X 1.0	1
3	578 244 000	Washer, 6.4 X 10.0 Lck	1
4	140154	Spacer, .26 X .375 X .312	1
5	630050	Band, Motor Spring Mnt	1
6	630377	Bracket, Scrub Head, Level	1
7	630208	Spring, Counter Torque, Motor	1
8	630447	Washer, Nylon, 12.7, 25.4, .8	12
9	200 031 496	Screw, Hex M8 X 1.25 X 35	4
10	200 160 017	Nut, Hex, Lock M8, Zp	9
11	630177	Bracket, Pivot, Motor	1
12	630188	Bearing, Journal .50"Id .25"Lg	6
13	630189	Sleeve, Brg 12.7Mm Od 8.7Id 08	6
14	630176	Lift, Head Traction Drive	1
15	14880.5	Washer, Flat 5/16"	11
16	600372	Boot, Limit Switch	1
17	578421	Pin, Cotter .12" X 1.00" Lg	3
18	600721	Pad, Non-Slip	1
19	630182	Arm, Link, Head Lift	2
20	600720	Pin, Clevis 1/2 X 1-19/64 Lg	1
21	630258	Pin, Clevis .38"D X 1.0Lg, Zp	1
22	630259	Bearing 9.5Id 12.7Od 6.4Lg,Brz	1
23	630181	Pedal, Foot, Head Lift	1
24	630448	Pin, Clevis, .50"Dia X 2.25"LG	1
25	630206	Bracket, Head Lift Assy	1
26	200 032 503	Screw, Hex M 8X1.25 X 60	1
27	200 031 488	Screw, Hex M 8X1.25 X 20	1
28	200 370 019	Washer Loc Int M 8, .4ID	1
29	630384	Cable, Head Level	1
30	200 607 491	Screw, M8X1.25X25 HxHdCp	2
31	140012	Washer, Flat 3/16" USS, Zinc	2
32	200 031 436	Screw, Hex Hd, M6 X 1.0 X16Mm	2
33	600719	Latch, Head Release	1
34	579211	Nut, Hex Lock, M3, SS	2
35	579213	Screw, Hex Hd, M3 X 20Mm	2
36	579028	Nut, Hex Lock, M6, Zp	1
37	600438	Kit, Switch Replacement	1

Fig. 4 – Solution Tank and Vacuum Fan Group

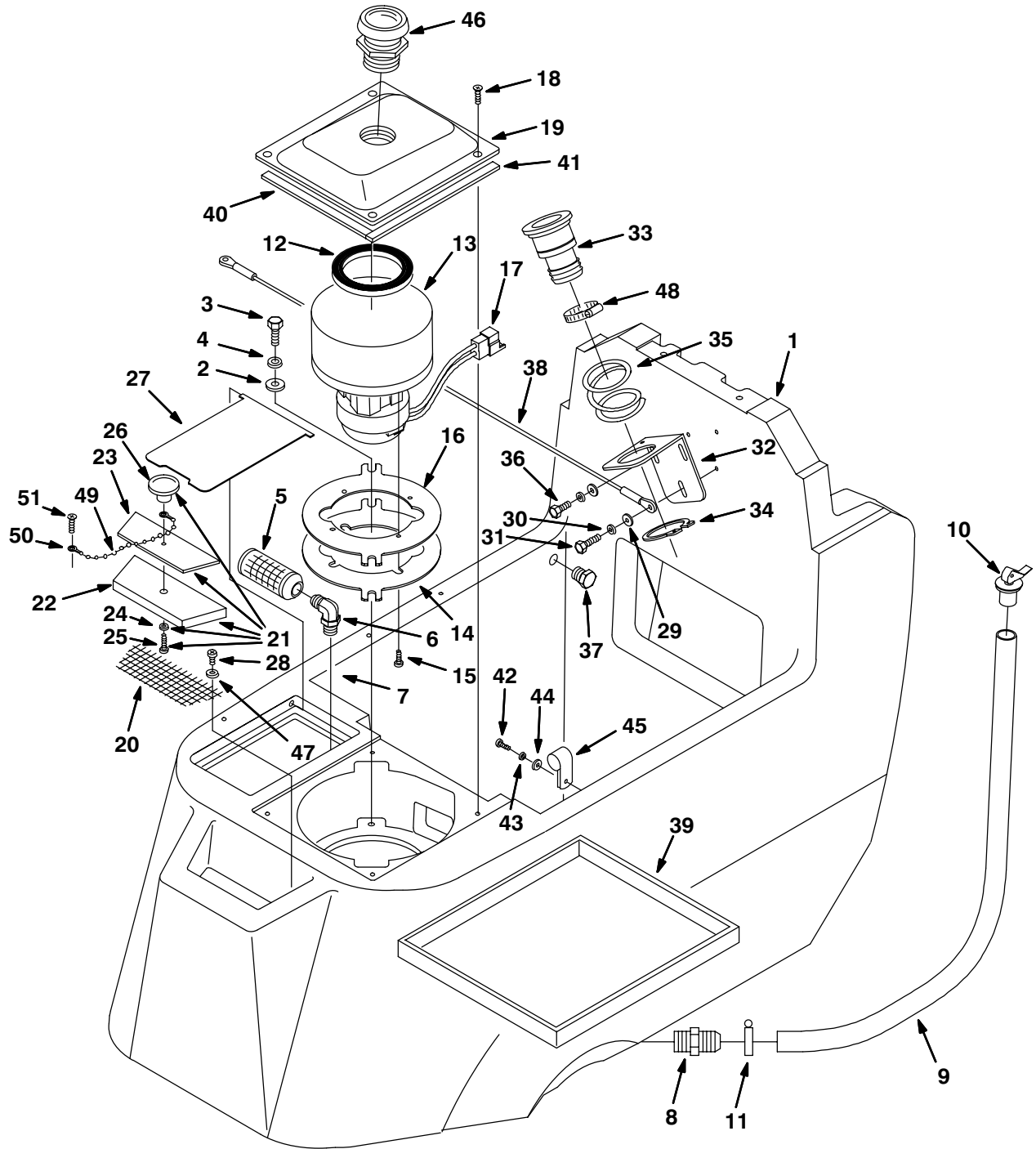


Fig. 4 – Solution Tank and Vacuum Fan Group

Ref.	Part No.	Description	Qty.
1	602698	Tank, Solution (Teal)	1
2	14880.5	Washer, Flat 5/16" USS	2
3	200 031 488	Screw, Hex M 8X1.25X20	2
4	200 370 019	Washer Loc Int M 8	2
5	630024	Filter, Solution Feed, 60 Mesh	1
6	630371	Fitting, Elbow 9.63" Hose .50NPT	1
7	601105	Sleeve, Strainer	1
8	612 146 000	Ftg, Str .75 Hose, .75 NPT	1
9	630018	Hose, 3/4 x 33"	1
10	630019	Plug, Expansion, .75ld	1
11	630369	Clamp, Hose .50–1.1	1
▽	630606	Vacuum Fan Assembly	1
▲	578424	Gasket, Foam	1
▲	603015	Motor, Ele 24Vdc 2–Stage, Vac	1
▲	190163	Brush, Carbon 2/Pk	2
▲	630013	Gasket, Brkt–Vac Motor	1
▲	140340	Scr, Pn Phil, #10 X 5/8"	4
▲	630014	Bracket, Vac Motor, 20" Scrbr	1
▲	630456	Connector, Wire Male	1
▲	630443	Terminal, Male	2
18	578 321 000	Screw, M6 X 1.0 X 16 PanPhil	4
19	630015	Cover, Vac Motor, 20" Scrbr	1
20	630006	Screen, Solution Fill	1
▽	630602	Cover Assy, Solution Tank	1
▲	630338	Cover, Sol Fill, Neoprne	1
▲	630341	Stiffener, Sol Fill Cover	1
▲	140018	Washer Loc Int #10 SS	1
▲	578 201 000	Screw, Pan Hd, Phil, #10 –32 X 1/2", Ss	1
▲	578301	Knob, Fill Cover	1
27	630007	Door, Access, Sol Tank, Abs	1
28	140826	Screw, #6 X 3/4 PanPhil	2
29	140012	Washer, 3/16 Flat	7
30	578 244 000	Washer–Loc Int M 6 .4ID 10MM	7
31	200 609 438	Screw, Hex Hd, M6 X 20, ZP	1
32	630012	Bracket, Mtg, Vac Trans	1
33	630011	Tube, Vac Trans, Flng & Brb	1
34	630016	Ring, Retaining, Ext 1.82"Dia	1
35	630267	Spring, Comp 50.8Free, 54.0Dia	1
36	200 031 436	Screw, Hex Hd, M6 X 16,ZP	2
37	630146	Plug, Nylon, .38Npt	1
38	630021	Cable Assy, Tank Sppt, 20.5"	1
39	601991	Tray, Battery	1
40	630380	Gasket, Vac Cover, 191Mm	2
41	630381	Gasket, Vac Cover, 233Mm	2
42	200 070 340	Screw, Pan Hd, Phil, M4 X .7 X 8,ZP	2
43	140023	Washer, Lock, Int, #8	2
44	200 301 014	Washer, Flat, 4.3, 10.0, 1.0, Zp	2
45	630343	Clamp, Wire, 7/8"ID	2
46	630017	Screen, Cover–Vac Fan,20"Scrbr	1
47	140032	Washer, Flat, #6 SS	2
48	140308	Clamp, Hose 1–5/16 To 2–1/4	1
49	575537	Chain, Ball #10	.12m
50	575536	Chain Coupling End	2
51	140826	Screw, Sht Mtl #6 X 3/4" Pn Phil	1



**Fig. 5 – Solution Control Group**

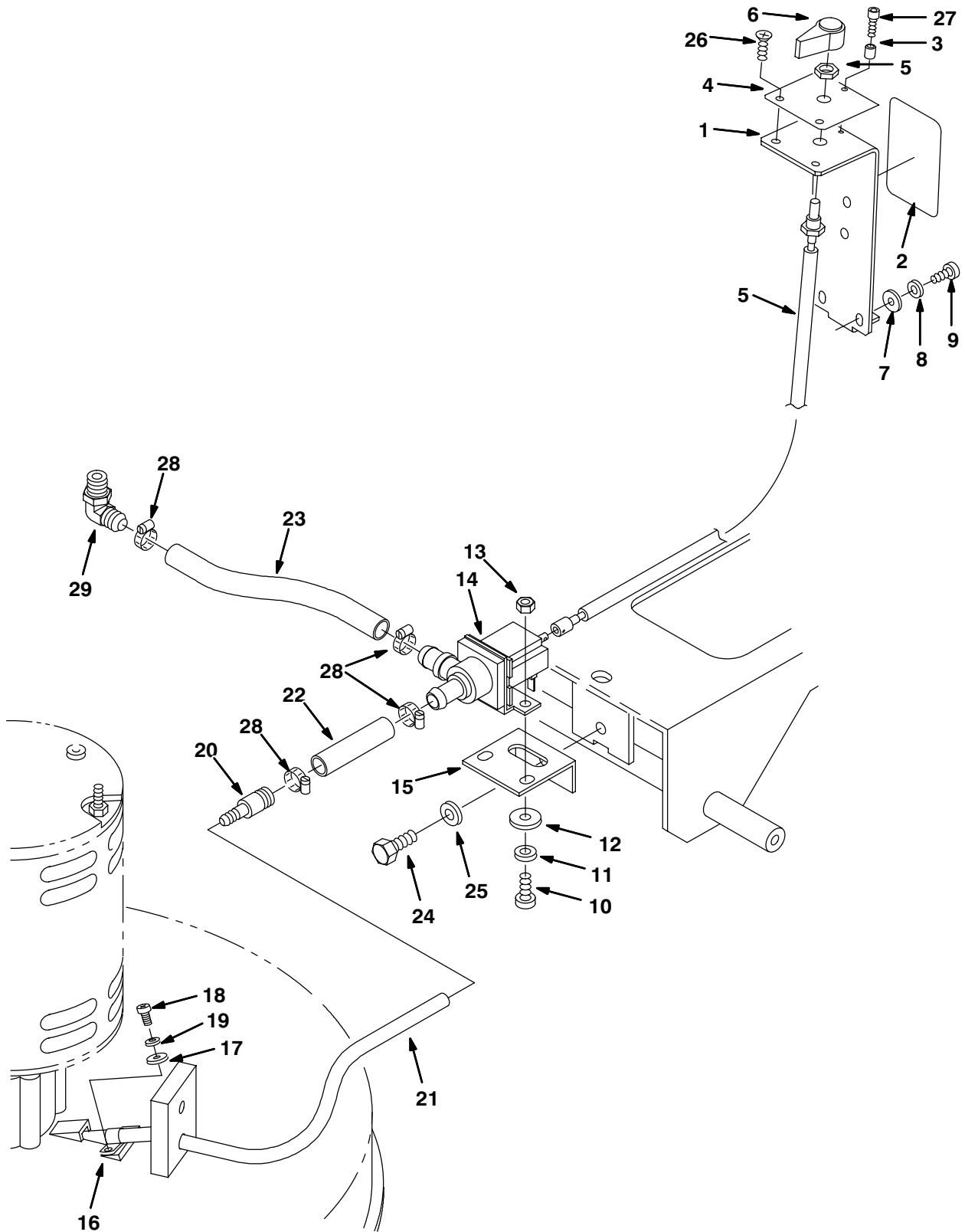


Fig. 5 – Solution Control Group

Ref.	Part No.	Description	Qty.
▽ 1	630057	Bracket, Solution Adj Knob	1
	630604	Kit, Solution Adj Bracket w/Decal	1
▲ 2	578729	Decal, Read Manual Textless	1
3	630452	Spacer, 4.3MM, 8.0MM Nylon	1
4	630233	Decal, Flow Control 5300	1
5	630117	Cable, Cont, Water Flow, 44"Lg	1
6	630116	Knob, Adj, Valve	1
7	200 315 016	Washer, Flat, 5.3MM, 15.0, 1.6	2
8	140018	Washer Loc Int #10	2
9	575 569 000	Screw, Pan Hd, Phil, M5 X 16	2
10	578 321 000	Screw, Pan Hd, Phil, M6 X 16,Zp	2
11	578 244 000	Washer, Loc Int M6 .4ID 10MM	2
12	140012	Washer, Plain, 3/16"	2
13	579029	Nut-Hx Std M 6X1.0	2
14	630022	Valve, Solenoid, 24Vdc	1
15	630059	Bracket, Valve	1
16	140328	Clamp, 3/8" Nylon	1
17	200 301 014	Washer, Flat 4.3MM, 10.1, 1.0	1
18	579259	Screw, Pan Hd, Phil, M4 X 12MM	1
19	140023	Washer, #8 INT	1
20	630164	Fitting, Str, .50Hose X .25Hose	1
21	630366	Hose, .25Id X .345MM	1
22	630370	Hose, 40MM Solenoid/Reducer	1
23	630379	Hose, 210MM Tank/Solenoid	1
24	200 031 488	Screw, Hex M8 X 1.25 X 20	1
25	200 370 019	Washer Loc Int M 8, .4ID	1
26	069 764 140	Screw, Flat Hd, Phil, M5 X 16MM	2
27	200 001 343	Screw, Soc Hd, M4 X 12MM	1
28	140310	Clamp, Hose 5/16 – 7/8	4
29	601 104 000	Ftg-E90, .50" Hose, .50" NPT	1

**Fig. 6 – Recovery Tank Group**

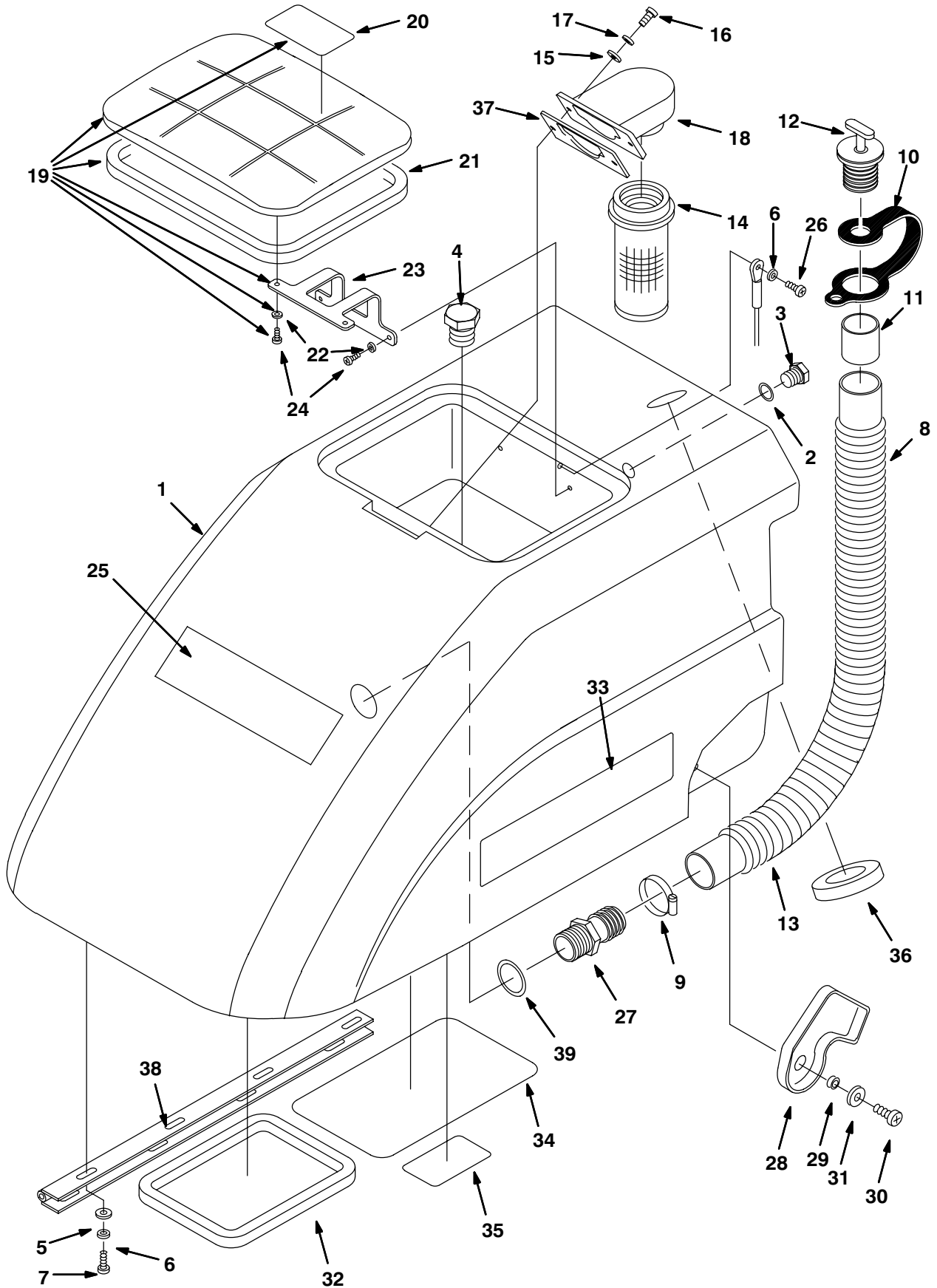


Fig. 6 – Recovery Tank Group

Ref.	Part No.	Description	Qty.
1	602699	Tank, Recovery (Teal)	1
2	630134	Seal, O-Ring, 16Mm OD X 3.5Mm Tk	1
3	630139	Ftg-Plg, Hex .38-19Rsp	1
4	630147	Plug, .75Npt	1
5	140012	Washer, Flat 3/16" USS	8
6	578 244 000	Washer, Lock, Int, M06, .4ID 10MM	9
7	578 321 000	Screw, Pan Phil M 6 X 16Mm, ZP	8
▽ 8	603217	Drain Hose Asm	1
▲ 9	140308	Clamp, Hose 1-5/16 To 2-1/4	1
▲ 10	578441	Strap, Drain Hose	1
▲ 11	630394	Sleeve, Drain Hose 1.5" ID	1
▲ 12	621324	Plug, Expansion, 1.5 Dia Nylon	1
▲ 13	630068	Hose, Drain 38.1Mm Id, 20" Scrbr	1
14	630052	Cage, Float W/Ball, 12X12 Scrn	1
15	059 650 283	Washer, Flat, 6.4MM ,18.0,1.6, SS	2
16	578 187 000	Screw, Pan Phil M6 X 12Mm, SS	2
17	578 244 000	Washer, Lock, Int, 6.4ID ,10MM, SS	2
18	630053	Mount, Float Cage, 20" Scrbr	1
▽ 19	630601	Kit, Rec. Tank Cover	1
▲ 20	630420	Label, Flammable Matl Textless	1
▲ 21	630367	Gasket, Rec Tank Cover	1
▲ 22	630390	Washer, Flat, .15", .56", .04", Zp	4
▲ 23	630056	Strap, Cover, Sol Tank 5300	1
▲ 24	140872	Screw, #6 Hilo, .38", Pn Phil Zp	4
25	630229	Decal, Tennant Logo	1
26	200 031 436	Screw, Hex Hd, M06 X 16Mm	1
27	621 277 000	Fitting, Str, 1.5 Hose X 1.25 NPT	1
28	630074	Leg, Sppt, Tank (Teal)	1
29	630075	Spacer, 8.5Mm Id 12.7Od 5.3Lg	1
30	575 029 000	Screw, Pan Phil M 8 X 20MM, Ss	1
31	14880.5	Washer, Flat 5/16"	1
32	630368	Gasket, 650MM	1
33	608139	Decal, 5300	2
34	630231	Decal, Wiring W/Options	1
35	630420	Decal, Flammable Matl Textless	1
36	630010	Gasket, 70Mm Od, 43Mm Id, 12.7 Tk	1
37	630255	Gasket, Float Mount	1
38	630048	Hinge, .25Pin 17.9Lg 1.9 Open	1
39	602952	Spacer, Drain Hose Fitting	1

**Fig. 7 – Main Frame Group**

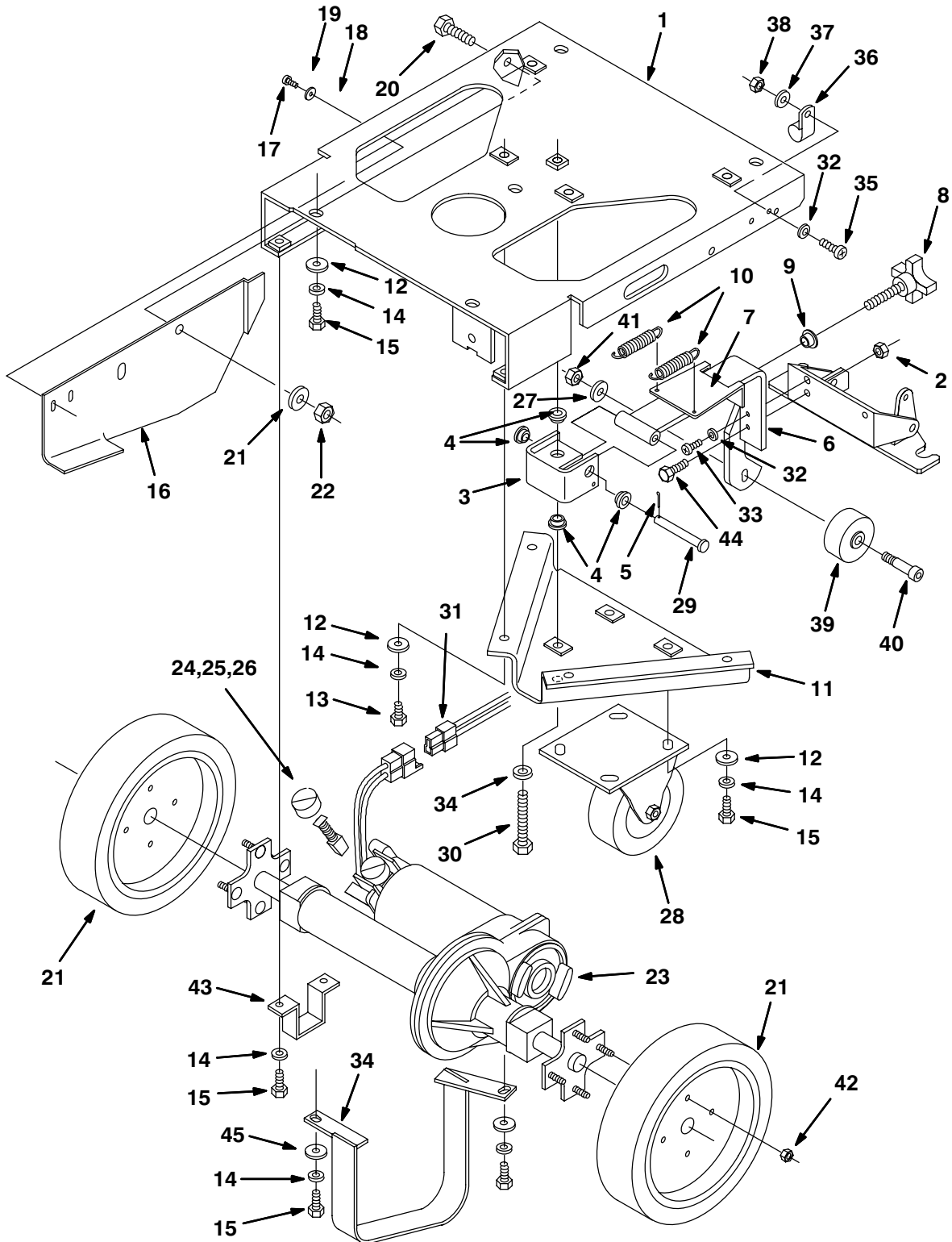


Fig. 7 – Main Frame Group

Ref.	Part No.	Description	Qty.
1	630131	Frame, 20" Traction	1
2	200 160 017	Nut, Hxlocnyln M8	1
3	630045	Bracket, Lift, Squeegee	1
4	630095	Bearing, Flng .38" .50" .25"Lg	4
5	578421	Pin, Cotter, .12" X 1.00" Lg	1
6	630044	Arm, Pivot, Squeegee	1
7	630043	Bracket, Spring Slide	1
8	630046	Knob, .38-24 X 2" Lg Stud, Ss	1
9	630292	Bearing, Knob, Sqge Arm	1
10	630042	Spring, Ext 2.3Mm Wire 63.5 Lg	2
11	630003	Frame, Mtg, Caster	1
12	14880.5	Washer, Flat 5/16"	13
13	200 031 486	Screw, Hex M 8 X 1.25 X16 HxHdCp	8
14	200 370 019	Washer, Loc Int M8	19
15	200 031 488	Screw, Hex M8 X 20MM	11
16	630307	Bracket, Safety & Limit	1
17	590137	Screw, Truss Hd, Phil, #6-32X.38", Zp	2
18	578 329 000	Screw, Anchor, #6, Nylon	2
19	140032	Washer, Flat, #6	2
20	200 031 541	Screw, Hex Hd M10 X 25	1
21	640013	Wheel, 8"D 2"W, Neoprene	2
	600351	Kit, Tires Foam (Optional)	1
	604357	Kit, Tires Air (Optional)	1
22	200 160 018	Nut, Hxlocnyln M10 X 1.5	1
23	630126	Transaxle, 20", .50 Hp	1
24	630504	Brush, Carbon Motor Transaxle	2
25	630503	Cap, Transaxle Brush	2
26	600606	Asm, End Bell, Transaxle Motor FR	1
27	200 651 019	Washer, Flat 8.4MM, 17.0, 1.6 SS	1
28	630002	Caster, 4"D 1.38W, 400Lb Cap	1
29	630047	Pin, Clevis .38 X 2.75	1
30	630345	Screw, Shoulder Bolt, .375 X 2.00	1
31	630132	Harness, Wire Main	1
32	578 244 000	Washer, Loc Int M 6, .4ID 10MM	2
33	578 187 000	Screw, Pan Hd, Phil, M6 X 12Mm, Zp	1
34	601163	Guard, Motor Cap	1
35	200 031 436	Screw, M06 X 1.0 X 16 PanPhl	1
36	630428	Clamp, Cable, 1.0" Id	1
37	578 244 000	Washer, 6.4 X 10.0 Lock	1
38	579029	Nut, Hex Std, M6, Zp	1
39	630477	Wheel, 2" OD, Squeegee Support	1
40	630478	Screw, Shoulder Bolt, 3/8"Dia X 1.0	1
41	601 108 000	Nut, Hex Lock, .31"-18, Zp	1
42	630268	Nut, Hex Lock, .25"-28, Zp	8
43	630127	Bracket, Transaxle Mount	2
44	200 031 488	Screw, Hex Hd, M8 X 20MM	4
45	14880.5	Washer, Flat 5/16 Zinc	2

**Fig. 8 – Rear Squeegee Group**

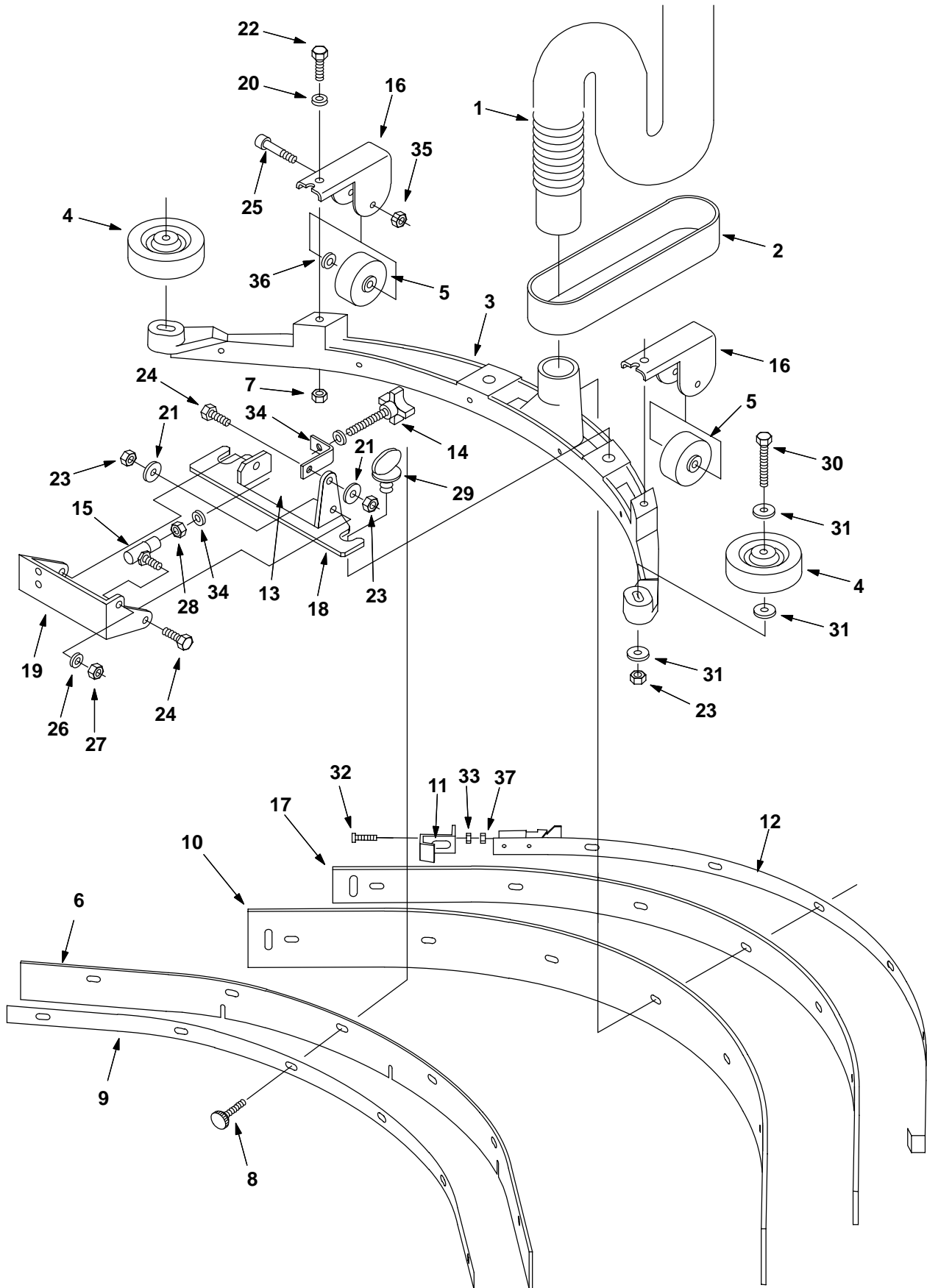


Fig. 8 – Rear Squeegee Group

Ref.	Part No.	Description	Qty.
	630806	Assy, Squeegee	1
1	630339	Hose Assy, Sqge	1
2	630333	Strap, Sqge Hose	1
3	630311	Squeegee, Curved	1
4	630450	Wheel, Rubber, Dia 76 X 22 WD	2
5	579184	Wheel, Head, Brush 51 X 22 WD	2
6	630291	Blade, Squeegee, Semi Front 3.2Tk	1
	600207	Blade, Squeegee, Urethane Front	1
7	200 640 017	Nut, Hex, M8, Ss	2
8	603012	Knob, Front Squeegee Blade Asm	6
9	630313	Squeegee, Band, Front Curved	1
10	630344	Blade, Squeegee, Curved Rear 4.8T	1
	603511	Blade, Squeegee, Urethane Rear	1
11	630481	Clip, Squeegee Band	1
12	630350	Squeegee, Band Assy, Curved	1
13	630279	Bracket, Pivot, Tip Adjust	1
14	630281	Knob, Tip Adjust, Sqge	1
15	140119	Joint, Ball, Lift Rod	1
16	630314	Bracket, Sqge Backup Wheel	2
17	630340	Back Up Strip, Semi-Curve	1
18	630277	Bracket, Sqge Attachment	1
19	630278	Bracket, Tip Adjust	1
20	200 370 019	Washer Lck Int M8	2
21	200 303 019	Washer, Flat, 8.4Mm, 18.0, 1.6	5
22	200 031 494	Screw, Hex Hd, M8 X 30Mm, Zp	2
23	200 160 017	Nut Hxlocnyln M 8X1.25	5
24	200 031 488	Screw, Hex M8 X1.25 X 20	3
25	630480	Screw, Shld., 5/16", 1-1/4" Shld, Zp	2
26	140015	Washer, Lock, 5/16"	1
27	069 762 144	Nut, Hex, .31-24 UNF, Zp	1
28	630388	Nut, Hex Lock, 5/16-24, Nylon	1
29	630393	Screw, Thumb & Washer Asm	2
30	630424	Screw, Hx Head, M8 X 70Mm, Zp	2
31	630303	Washer, Flt 8.4 25.4 2.0, Zp	6
32	630389	Screw, Pan Hd, Phi M5 X .8 X 45mm	1
33	140283	Nut, M5 X .8 Nylock	1
34	630446	Washer, Nylon, .31"	2
35	140501	Nut, Hex Lock, .25-20 UNC	2
36	200 651 019	Washer, Flt, 8.4MM, 17.0, 1.6, Ss	2
37	140297	Nut, M5 X .8 Hex	1



**Fig. 9 – Rear Squeegee Lift Group**

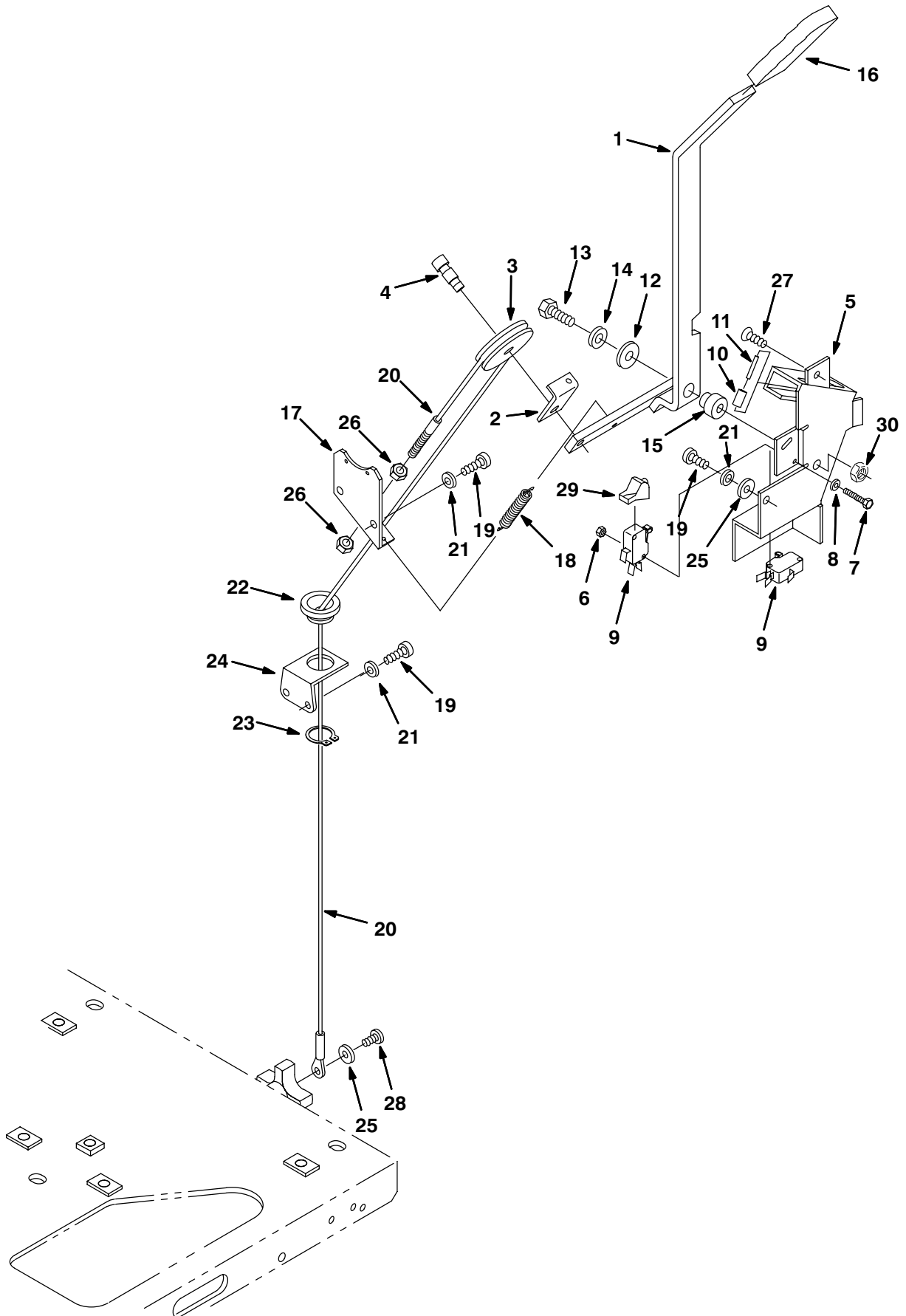


Fig. 9 – Rear Squeegee Lift Group

Ref.	Part No.	Description	Qty.
1	630151	Arm, Lift, Squeegee	1
2	630427	Bracket, Sqge Sheave	1
3	630426	Pulley, Cable 2" X 3/16"	1
4	630470	Screw, Shld .375Dx1.00L .31-18	1
5	630150	Bracket, Arm, Sqge Lift	1
6	579211	Nut, Hex Lock, M3, SS	4
7	579213	Screw, Hex Hd, M3 X 20MM	4
8	601 127 000	Washer, Flt 3.7Mm 8.0 .5 Zp	8
9	600437	Switch, Roller 15A	2
10	630207	Wheel, Brkt, Sqge Lift	1
11	630262	Pin, Roll .09D X .75Lg, Zinc	1
12	069 760 082	Washer Flt .25 Hard	1
13	200 031 496	Screw, Hex M8 X 1.25 X 35	1
14	200 370 019	Washer Lck Int M8	1
15	630160	Bushing, Arm, Pivot	1
16	630209	Grip, Sqge Lift	1
17	630155	Bracket, Cable, Sqge 11GA	1
18	630158	Spring, Ext .36 3.00 .45	1
19	578 321 000	Screw, Pan Hd, Phil, M6 X 16,ZP	5
20	630156	Cable, Lift, Sqge, 28" Lg	1
21	578 244 000	Washer-Loc Int M 6, .4ID 10MM	5
22	621235	Bushing, Cable	1
23	621 236 000	Ring, Retaining .810 Dia	1
24	630157	Bracket, Guide, Cable	1
25	140012	Washer, Flat 3/16"	2
26	140510	Nut, Hex, Jam, .25-20UNC	2
27	069 762 098	Screw, Flat Hd, Phil M6 X 16MM,	1
28	573268	Screw, Pan Hd, Phil, .25 20 X .75", Ss	1
29	600372	Boot, Limit Switch	1
30	200 640 017	Nut, M8 Hex	1

**Fig. 10 – Scrub Brush Down Pressure Group**

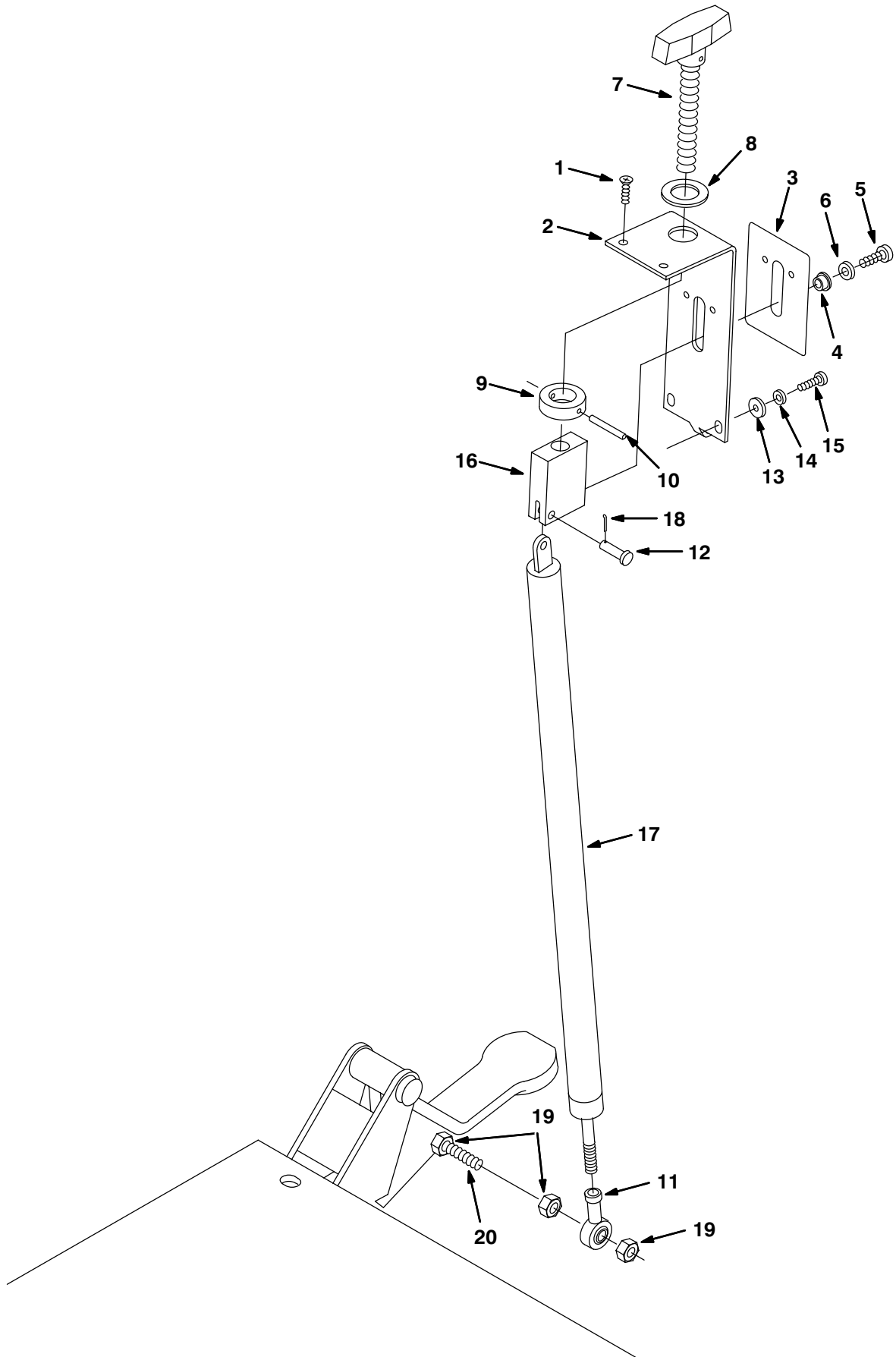


Fig. 10 – Scrub Brush Down Pressure Group

Ref.	Part No.	Description	Qty.
1	069 764 140	Screw, Flat Hd, Phil M5 X 16Mm	2
2	630197	Bracket, Down Pressure	1
3	630234	Decal, Down Pressure	1
4	630482	Bearing, Flange	1
5	578 187 000	Screw, Pan Hd, Phil M06 X 12Mm, SS	1
6	578 244 000	Washer, Lck Int M6 .4ID 10MM	1
7	630195	Knob, Tee, .50–13, 2–1/8”Lg	1
8	630358	Washer, Nylon .75” 1.0” .03Tk	1
9	630355	Collar, 19.0Id 31.8Od 9.5W	1
10	630382	Pin, Spring, .16” X 1.25”, Zp	1
11	630353	Rod–End, Shock	1
12	630357	Pin, Clevis, 5.9Mm Dia X 20.2Mm Lg	1
13	200 315 016	Washer, Flat, 5.3Mm, 15.0, 1.6	2
14	140018	Washer Lck Int #10	2
15	575 569 000	Scr, Pan Hd, Phil, M5 X 16	2
16	630354	Coupler, Down–Pressure Shock	1
17	603664	Shock, Head Down Pressure	1
18	578420	Pin, Cotter, .09”Dia X .75”Lg	1
19	200 160 017	Nut, M8 Hxlck	3
20	200 032 503	Screw, M8 X 1.25 X 60	1

**Fig. 11 – Console Group**

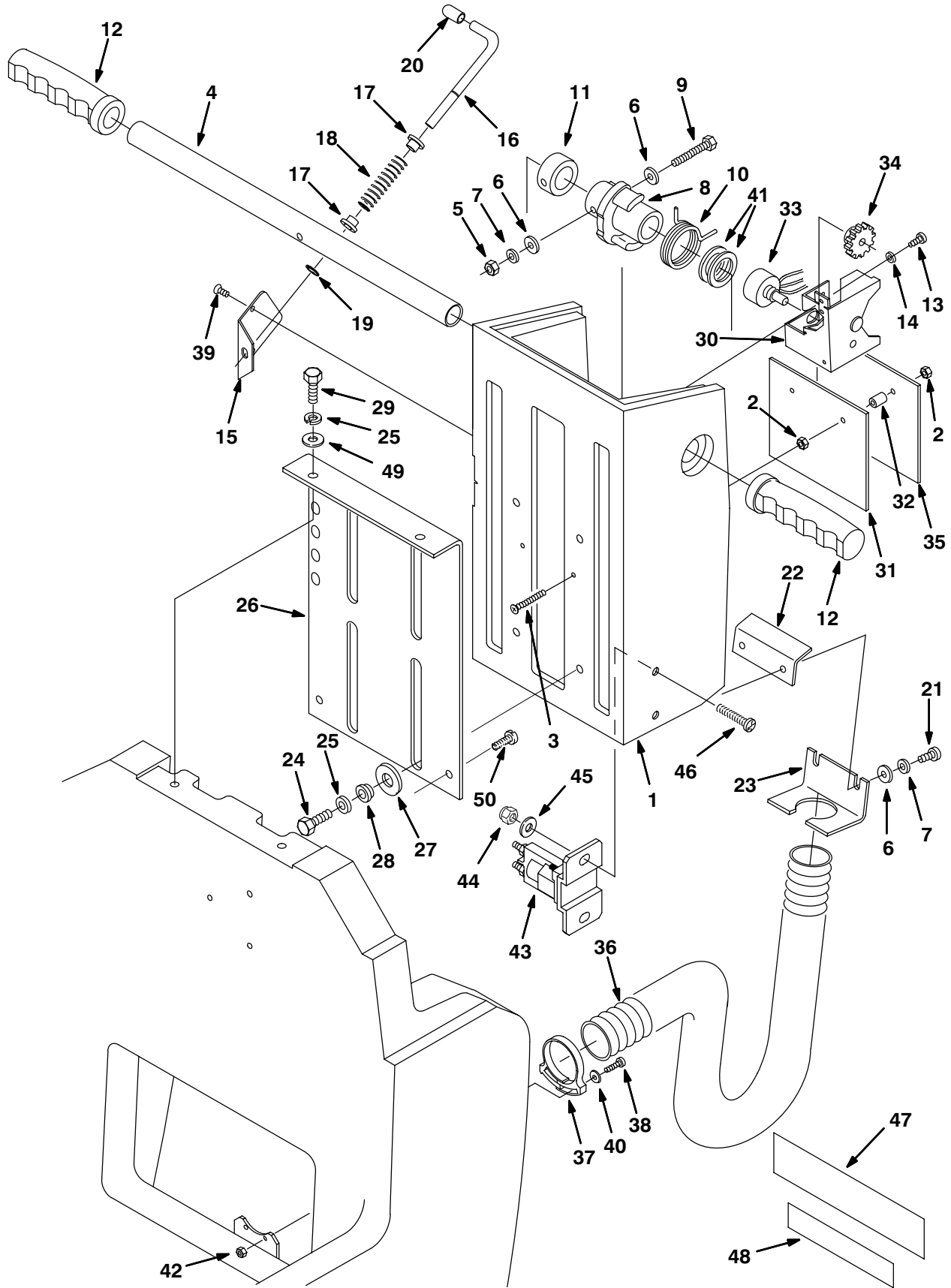


Fig. 11 – Console Group

Ref.	Part No.	Description	Qty.
1	602700	Console (Teal)	1
2	200 160 014	Nut, Hex Lock, M4	4
3	630304	Screw, Flthd, Phil, M4 35Mm, Zp	2
4	630093	Handlebar, .88Od 15.5Lg, Zp	1
5	579029	Nut-Hx Std M 6X1.0	1
6	579210	Washer, Flat, 6.4MM, 18.0, 1.5	4
7	578 244 000	Washer, Loc Int M 6 .4ID 10MM	3
8	630109	Gear & Hub Assy, 22.4Id,20"Scr	1
9	630431	Screw, Hx Head, M 6 X 40Mm	1
10	630088	Spring, Centering .072"Mw, Zp	1
11	630217	Collar, .88"Id 1.38Od .63 Lg	1
12	200823	Grip, Handle Tube	2
13	200 070 340	Screw, Pan Hd, Phil M4 X 8MM	2
14	140023	Washer, Lock, Int #8	2
15	630087	Plate, Retainer-Latch	1
16	630081	Lever, Latch, Console Adjust	1
17	630083	Bushing, Latch	2
18	630082	Spring, Comp .42" 1.75 .035	1
19	630084	Ring, Retaining, Ext	1
20	630094	Grip, Lever-Console Adjust	1
21	578 321 000	Screw, Pan Hd, Phil M6 X 16MM, Zp	2
22	630086	Plate, Strainrelief	1
23	630108	Bracket, Mtg, Conduit	1
24	200 031 486	Screw, Hex Hd M08 X 16MM	4
25	200 370 019	Washer Loc Int M 8	6
26	582078	Plate, Console Slide, 20" Scrub	1
27	630447	Washer, Nylon, 12.7, 25.4, 0.8	4
28	630095	Bearing, Flng .38" .50" .25"Lg	4
29	200 031 488	Screw, Hex Hd M08 20Mm, Zp	2
30	630079	Bracket, Mtg, Limit Switch	1
31	630128	Plate, PMC, Heat Sink	1
32	630261	Spacer, .19"ID, .31"OD, .50", Alum	2
33	603372	Asm, Pot. w/Decal	1
34	630099	Gear, 28T, 24P	1
35	630104	Speed Control, PMC Board, 55 Amp	1
36	630113	Conduit, Convolutd	1
37	140322	Clamp, Vac Hose	1
38	578 403 000	Screw, Pan Hd, Phil, M3 X 20Mm	2
39	630114	Screw, Flat Hd, Phil M4 X 8Mm, Zp	2
40	200 301 012	Washer, Flat, 3.2Mm, 7.0, .5	2
41	069 760 582	Washer, Nylon, 23 ID, 34 OD	2
42	579211	Nut, Hex Lock, M03, SS	2
43	603008	Contacto, 24VDC, 100A	1
44	140552	Nut, 10-24 Nylock	2
45	069 762 056	Washer, Plain Ansi-A #10	2
46	15858.12	Screw, Mch 10-24 x 3/4 Flt Phil	2
47	601 085 000	Decal, PMC Connection	1
48	611440	Decal, Fuse Spec	1
49	140027	Washer, 5/16 Flat	2
50	630306	Screw, Flat Hd Phil, M8 X 16Mm, Zp	2

**Fig. 12 – Instrument Panel Group**

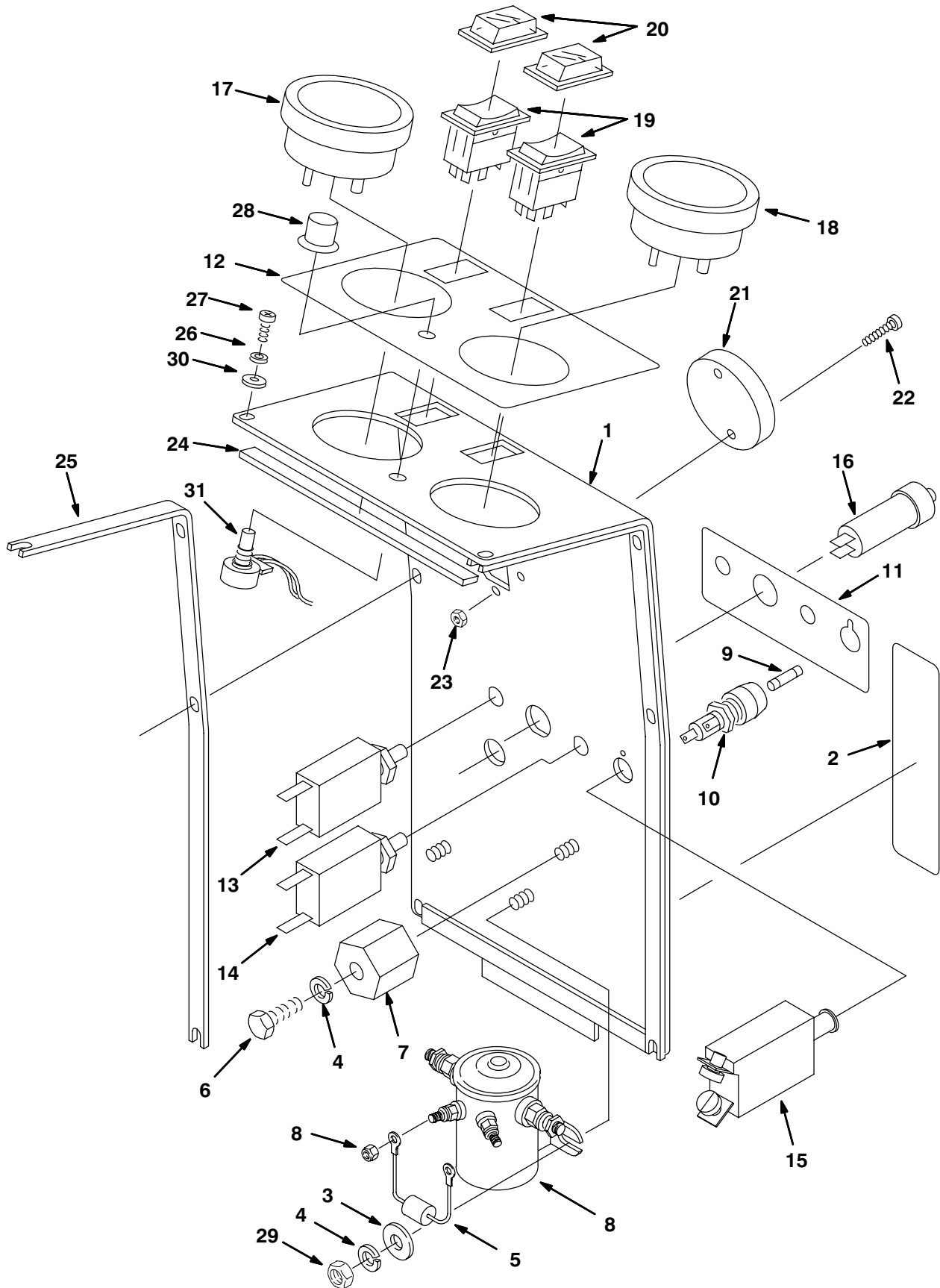
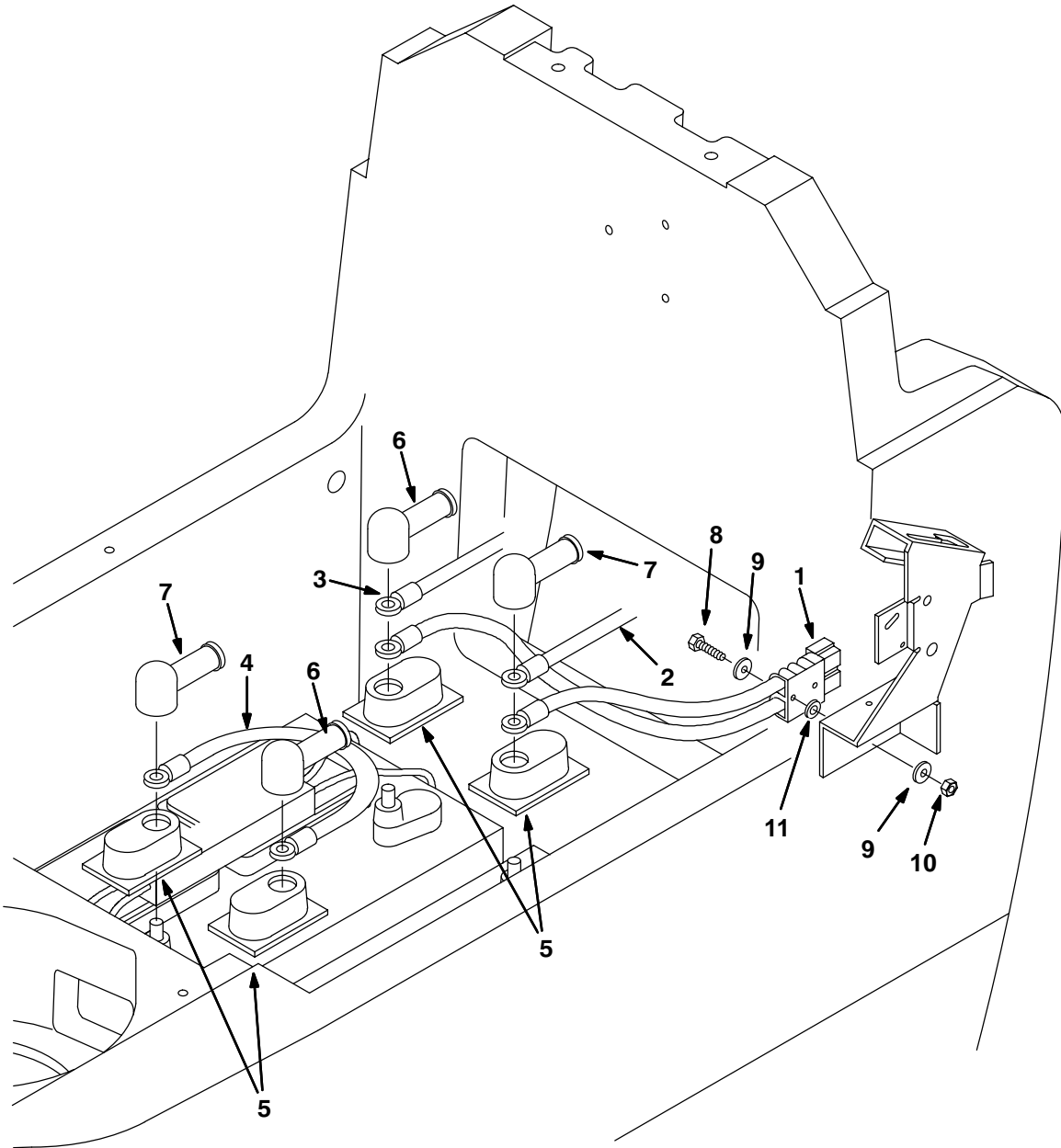


Fig. 12 – Instrument Panel Group

Ref.	Part No.	Description	Qty.
▽ 1	630605	Kit, Switch Plate w/Decal	1
▲ 2	630422	Decal, Batt Chrge, Textless	1
3	140012	Washer, Flat 3/16"	2
4	578 244 000	Washer, Loc Int M6 .4ID 10MM	3
5	130423	Diode, 400V/6.0A Silicone	1
6	069 762 126	Screw, Hex .25–20 X 0.62	1
7	578427	Standoff, Terminal	1
8	605905	Solenoid, 24V	1
9	601091	Fuse, 2Amp 3AG Fast Blow	1
10	578418	Holder, Fuse	1
11	630241	Decal, Circuit Breakers	1
12	630243	Decal, Gauge/Switch Panel	1
13	20361	Circuit Breaker, 15A	1
14	20796	Circuit Breaker, 17A	1
15	130756	Circuit Breaker, 35A Dc	1
16	630102	Circuit Breaker, 7A	1
17	630090	Gauge, Br Pressure, 10–35 Amp	1
18	630091	Meter, Battery, 24Vdc	1
19	630419	Switch, Rckr, Spst, 24Vdc, Green	2
20	578720	Splash Guard, Rocker Switch	2
21	607002	Plate, Cover	1
22	140901	Screw, 8–32 x 3/8	2
23	28990	Nut, 8–32 Nylock	2
24	630453	Gasket, Console 143MM	2
25	630119	Gasket, Console 3.1 X 8.0 X 420	2
26	140023	Washer, #8 INT	8
27	200 070 340	Screw, Pan Hd, M4 X 8, Zp	8
28	630265	Knob, Speed Limit	1
29	059 650 595	Nut Hx Std .25–20 UNC	2
30	200 301 014	Washer, Flat, 4.3,10.0, 1.0, Zp	8
31	630133	Resistor, 0–20K, Speed Control	1



**Fig. 13 – Battery Cable Group**



09150/09126

**Fig. 13 – Battery Cable Group**

Ref.	Part No.	Description	Qty.
1	630118	Cable, Battery, W/Charge Plug Red	1
2	630110	Cable, Battery, 4Ga 813Mm, Red	1
3	630111	Cable, Battery, 4Ga 864Mm, Blk	1
4	603061	Cable, Battery 6Ga Red, 305Mm	1
5	611223	Cover, Terminal	4
6	611221	Boot, Cable, Batt Terminal, Black	2
7	611222	Boot, Cable, Batt Terminal, Red	2
8	200 051 274	Screw, Fill Hd Slot M3 X 30mm, Zp	2
9	601 127 000	Washer, Flat, 3.7 8.0, .5, Zp	4
10	579211	Nut, Hex, Lock, M3, Zp	2
11	140019	Washer, Ext Lck Tooth #6, Zinc	2

Fig. 14 – Electrical Schematic

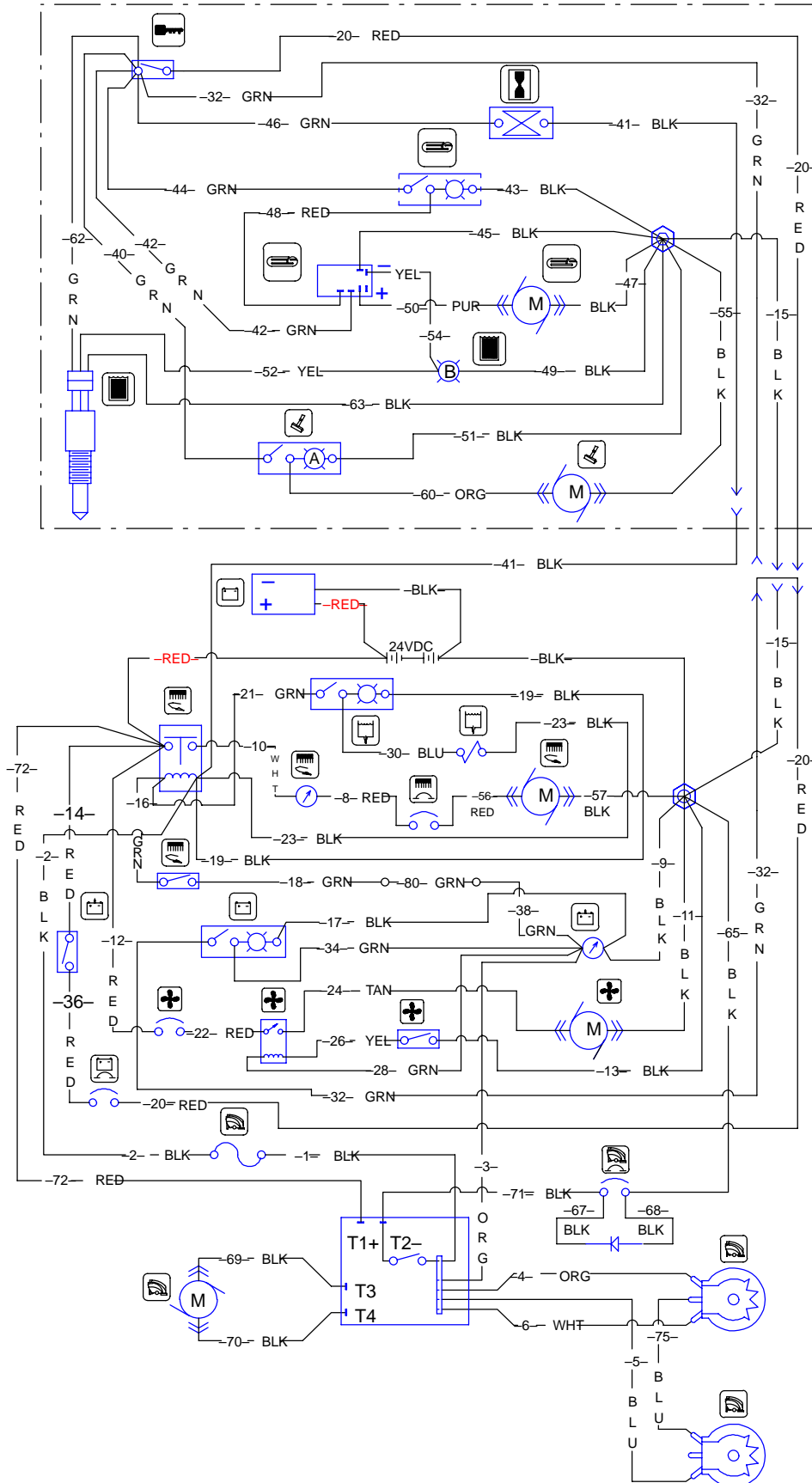
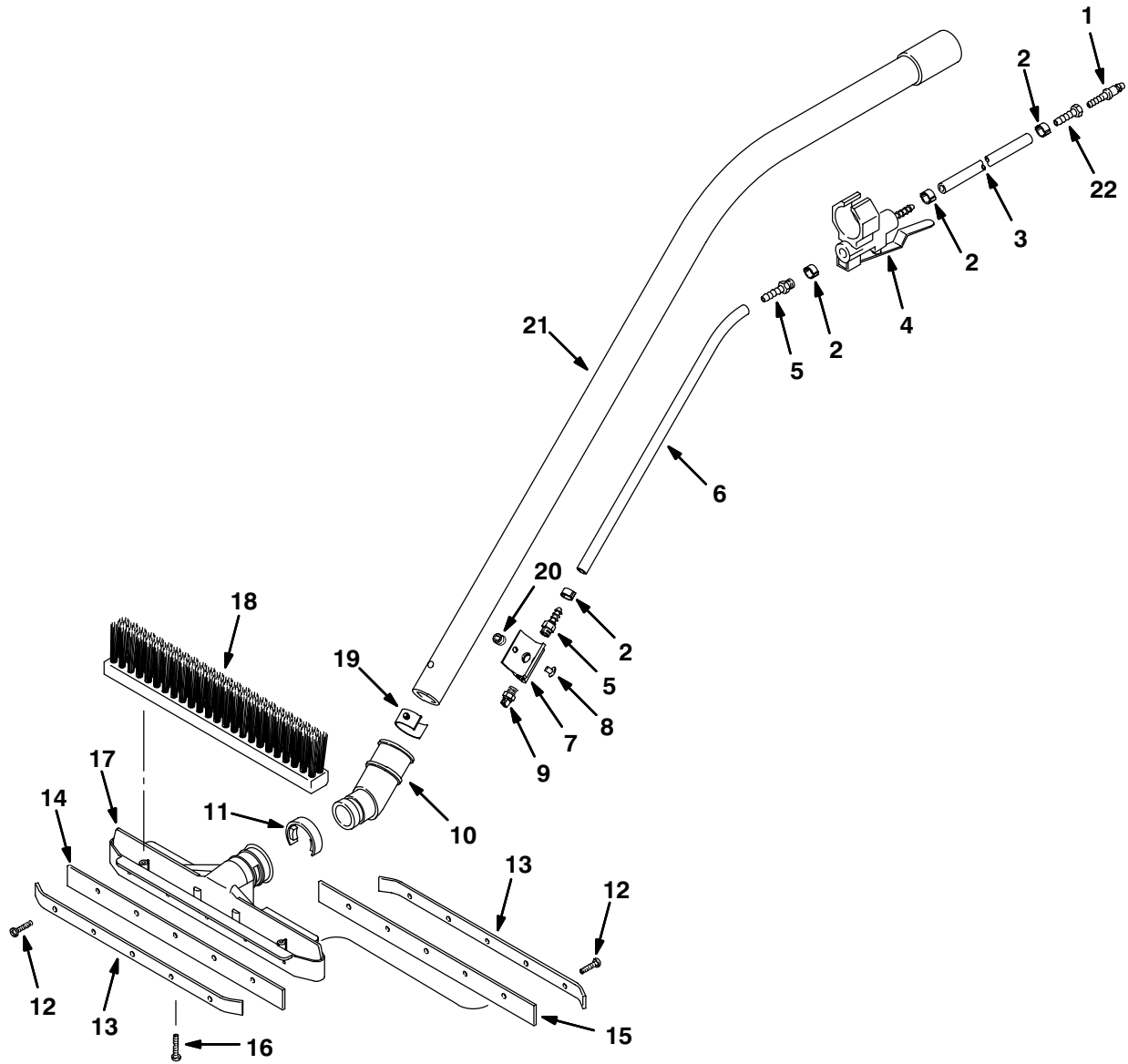


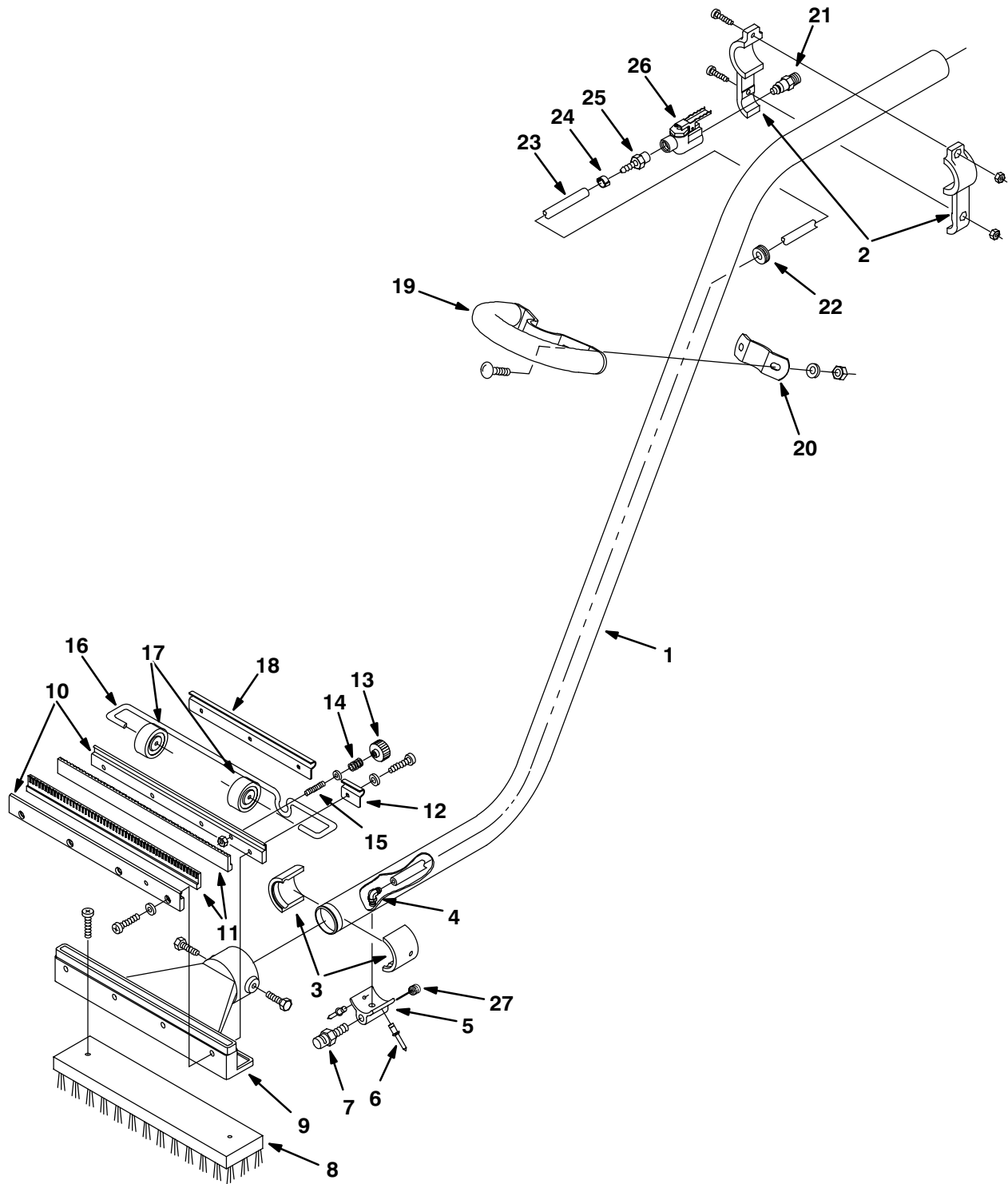
Fig. 1 – Power Wand Assembly



**Fig. 1 – Power Wand Assembly**

<b>Ref.</b>	<b>Part No.</b>	<b>Description</b>	<b>Qty.</b>
▽	579908	Wand Assy, E150, Sngl Bn No Hose	1
▲ 1	578 091 000	Plug, Quick Connect, 1/4" MPT	1
▲ 2	578 160 000	Clamp, Hose, 11–13Mm Od, Crimp	4
▲ 3	579168	Hose, Relief, .25, .44", .110 M	1
▲ 4	579107	Valve, Water Cont. Hanger And	1
▲ 5	150525	Hose Barb, 1/8"M X 1/4"H	2
▲ 6	579146	Hose, Wand Water Feed, 150E	1
▲ 7	579112	Adaptor, Spray Nozzle	1
▲ 8	579198	Rivet, Pop 04 Dia X 10	2
▲ 9	579137	Spray Nozzle, .125 Npt, 100Deg	1
▲ 10	579113	Swivel, Wand Attachment	1
▲ 11	579132	Ring, Attachment	1
▲ 12	579135	Screw, Self TD United	10
▲ 13	579103	Retainer, Wand Blade, 150E	2
▲ 14	579239	Squeegee, Blade, Front Wand	1
▲ 15	579230	Squeegee, Blade, Rear Wand	1
▲ 16	579147	Screw, Self – Tap, #6, 1.5"	2
▲ 17	579101	Head, Wand, 150E	1
▲ 18	579102	Brush, Wand (Two Row)	1
▲ 19	579187	Clip, Spring 32Mm Dia.	1
▲ 20	150208	Plug, Sckt Hd 1/8"	1
▲ 21	579109	Wand, Single Bend 31.8	1
▲ 22	150510	Fitting, 1/4F X 1/4H Barb	1

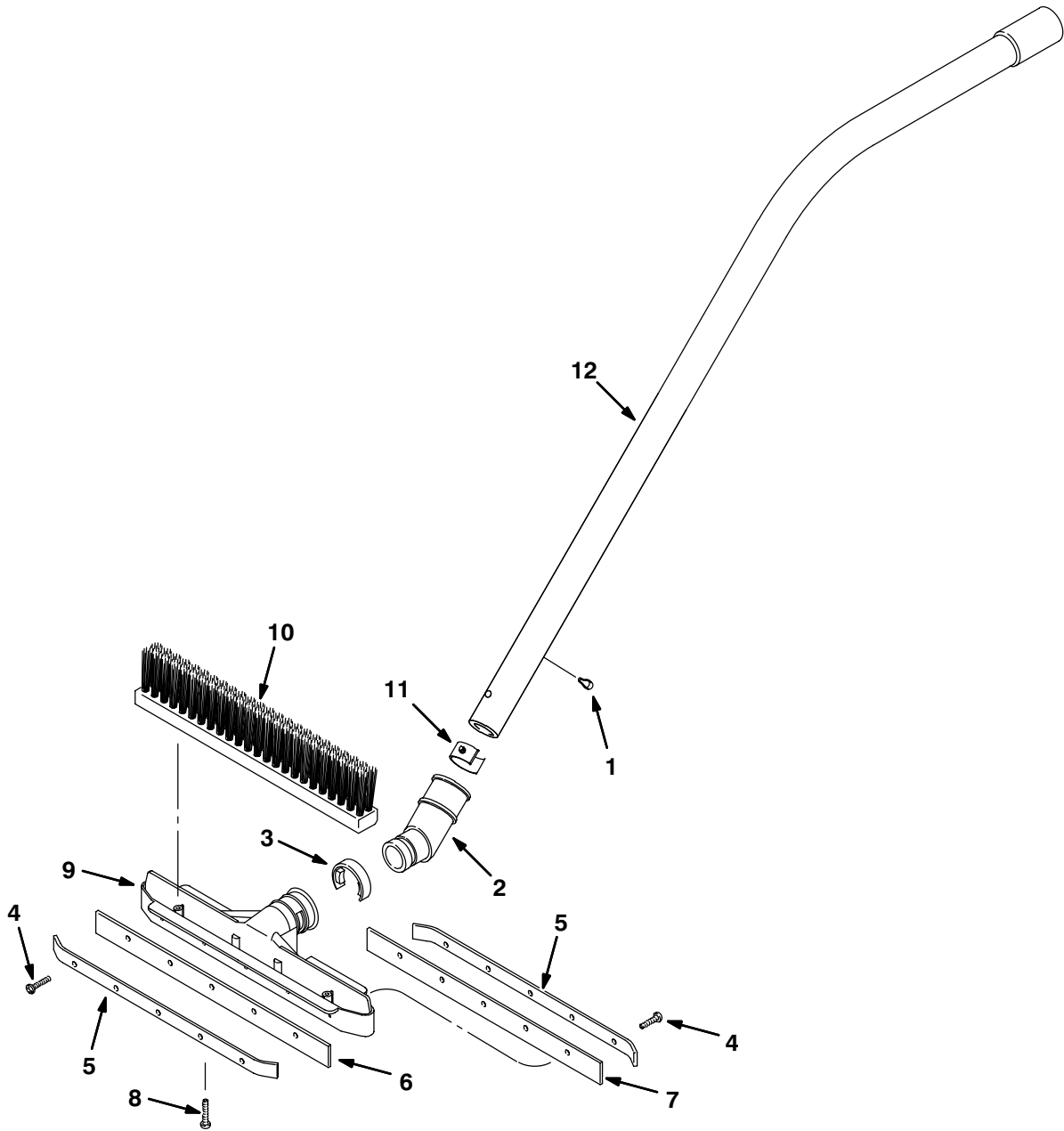
Fig. 2 – Hard Floor Wand Assembly



**Fig. 2 – Hard Floor Wand Assembly**

<b>Ref.</b>	<b>Part No.</b>	<b>Description</b>	<b>Qty.</b>
▽	578 905 000	Wand Assembly Double Bend	1
▲ 1	578 060 000	Wand, Double Bend, Dia 38.1MM	1
▲ 2	578 077 000	Bracket, Valve Mounting, Wand	1
▲ 3	578 061 000	Adapter, Head/Wand	2
▲ 4	578 214 000	Fitting, Elbow, 0.25"Hose, 0.12"NPT	1
▲ 5	579112	Adapter, Spray Nozzle	1
▲ 6	579198	Rivet, Pop, .156, .312, .384	2
▲ 7	578 066 000	Spray Nozzle, .125" NPT, 75 Deg.	1
▲ 8	578 073 000	Brush, Deck, Polypro Block	1
▲ 9	578 063 000	Head, Wand	1
▲ 10	578 078 000	Retainer, Squeegee Wand	2
▲ 11	578 074 000	Blade, Squeegee Wand	2
▲ 12	578 124 000	Bracket, Axle, 1-Hole	1
▲ 13	578439	Nut, Thumb, MO6 X Dia 30MM	1
▲ 14	578 228 000	Spring, Compression, .63", .42", .04	1
▲ 15	578 143 000	M6, 40mm Lg., Adjust. Stud	1
▲ 16	578 126 000	Axle, Wand	1
▲ 17	578 125 000	Wheel, Guide, Wand	2
▲ 18	578 123 000	Bracket, Axle, 3-Hole	1
▲ 19	578 155 000	Handle, Wand	1
▲ 20	578 154 000	Bracket, Handle, Wand	1
▲ 21	578 091 000	Plug, Male Quick-Conn., 1/4"NPT	1
▲ 22	578 164 000	Grommet, .38"ID, .62"OD, .06"OW	1
▲ 23	578 821 000	Hose, Solution, Wand	1
▲ 24	578 161 000	Clamp, Hose, 8-11MM OD, Crimp	1
▲ 25	578 094 000	1/4 Hosebarb, 1/4NPT Male Pipe	1
▲ 26	578 064 000	Valve, Water Control, Wand	1
▲ 27	150208	Plug, Sckt Hd 1/8"	1

Fig. 3 – Non-Power Wand Assembly

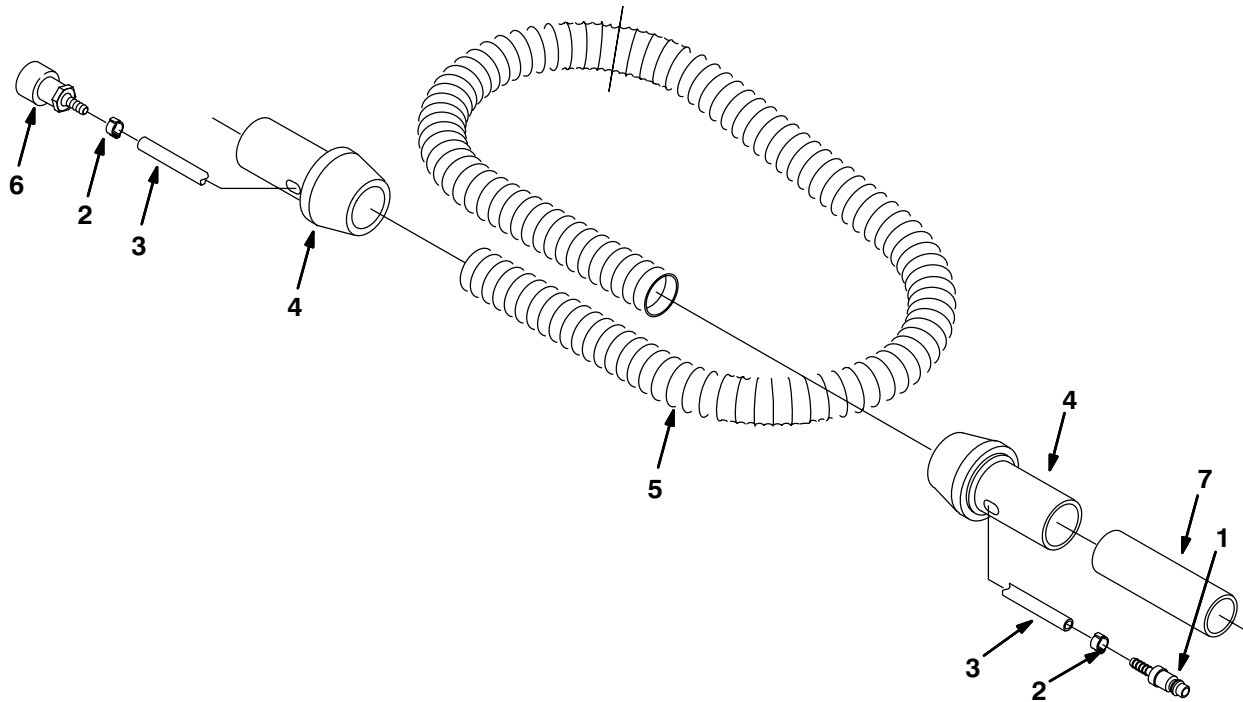


**Fig. 3 – Non-Power Wand Assembly**

<b>Ref.</b>	<b>Part No.</b>	<b>Description</b>	<b>Qty.</b>
▽	630732	Wand Assembly	1
▲ 1	630269	Bumper, Mushroom 4.8Dia	2
▲ 2	579113	Swivel, Wand Attachment	1
▲ 3	579132	Ring, Attachment	1
▲ 4	579135	Screw, Self TD United	10
▲ 5	579103	Retainer, Wand Blade	2
▲ 6	579239	Squeegee, Blade, Front Wand	1
▲ 7	579230	Squeegee, Blade, Rear Wand	1
▲ 8	579147	Screw, Self – Tap, #6, 1.5”	2
▲ 9	579101	Head, Wand	1
▲ 10	579102	Brush, Wand (Two Row)	1
▲ 11	579187	Clip, Spring 32Mm Dia.	1
▲ 12	579109	Wand, Single Bend 31.8	1



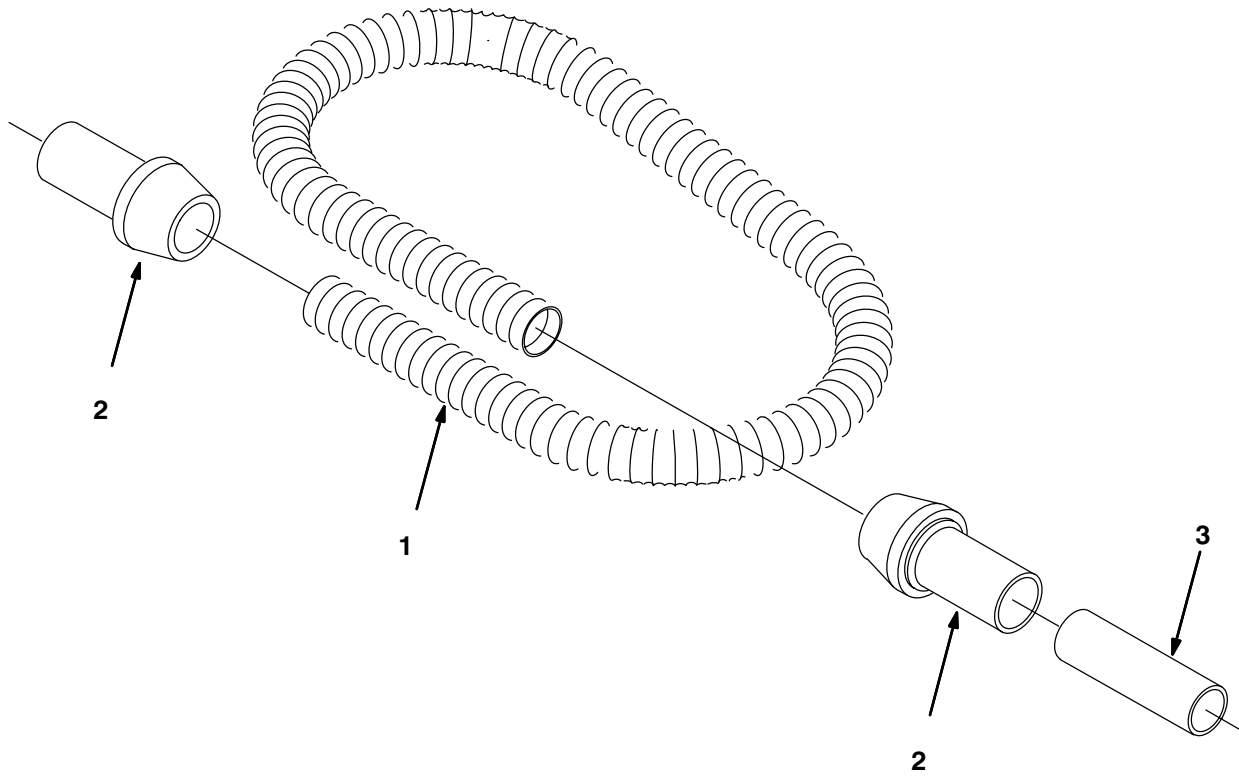
**Fig. 4 – Power Wand Hose Assembly**



09160/09161

Ref.	Part No.	Description	Qty.
▽	578 903 000	Power Wand Hose Assembly.	1
▲ 1	578 318 000	Fitting, Quick Conct Male	1
▲ 2	578 160 000	Clamp, Hose 11–13MM	2
▲ 3	578 820 000	Hose, .25ID, .44OD, 4.0M LG	1
▲ 4	578 072 000	Cuff, Swivel, 38.1Dia Blk	2
▲ 5	578 276 000	Hose, Vacuum, 38.1Dia X 3.05M Gray	1
▲ 6	578 071 000	Connector, Quick Conct Female	1
▲ 7	231031	Sleeve, 1–1/2" Dia X 5" LG	1

Fig. 5 – Non-Power Wand Hose Assembly



09168/09167

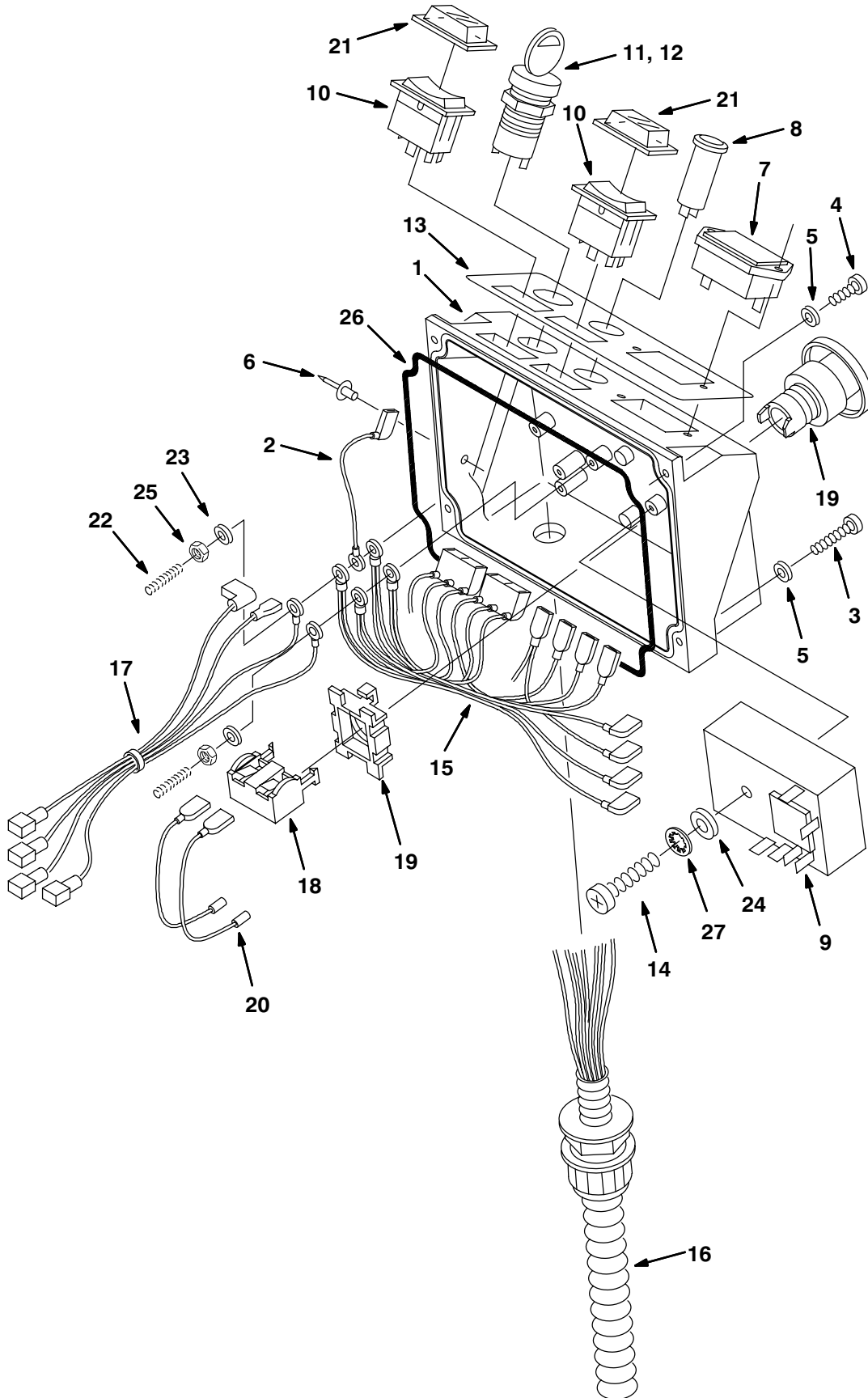
Ref.	Part No.	Description	Qty.
▽	630739	Non-Power Wand Hose Assembly	1
▲ 1	578 276 000	Hose, Vacuum 38.1Dia X 3.05M Gray	1
▲ 2	630449	Cuff, Hose Soft Dia 38.1M	2
▲ 3	231031	Sleeve, 1-1/2Dia X 5"LG	1



**Fig. 6 – Power Wand Pump and Fittings Group**

<b>Ref.</b>	<b>Part No.</b>	<b>Description</b>	<b>Qty.</b>
1	630136	Pump, 24Vdc	1
2	630335	Bracket, Mtg, Pump	1
3	200 315 016	Washer, 5.3 X 15.0 X 1.6 Flat	2
4	140018	Washer Loc Int #10	2
5	200 070 384	Screw, Pan Hd, Phil M5 X 14	2
6	630251	Fitting, E90, .75 Forged	1
7	630252	Fitting, Bushing, 3/4M X 3/8F	1
8	150538	Hose Barb, 3/8M X 3/8H Nylon	1
9	140310	Clamp, Hose 5/16–7/8	6
10	630417	Hose, 165MM Wand Pump	1
11	630372	Fitting, Tee 1/2 X 1/2 X 3/8 Hose	1
12	150516	Fitting, 1/4M X 3/8H Barb	1
13	630418	Hose, .700MM	1
14	579029	Nut, M6 X 1.0	2
15	630256	Bracket, Mtg Quick Connct	1
16	575 520 000	Fitting, Quick Disc Female 3/8 X 1/4 NPT	1
17	150300	Connector, Anchor 1/4 – Brass	1
18	578 321 000	Screw, Pan Hd, Phil, M6 X 16MM, ZP	2
19	578 244 000	Washer–Loc Int M6 .4ID 10MM	2
20	579210	Washer, Flat 6.14, 18.0, 1.5, Zp	2

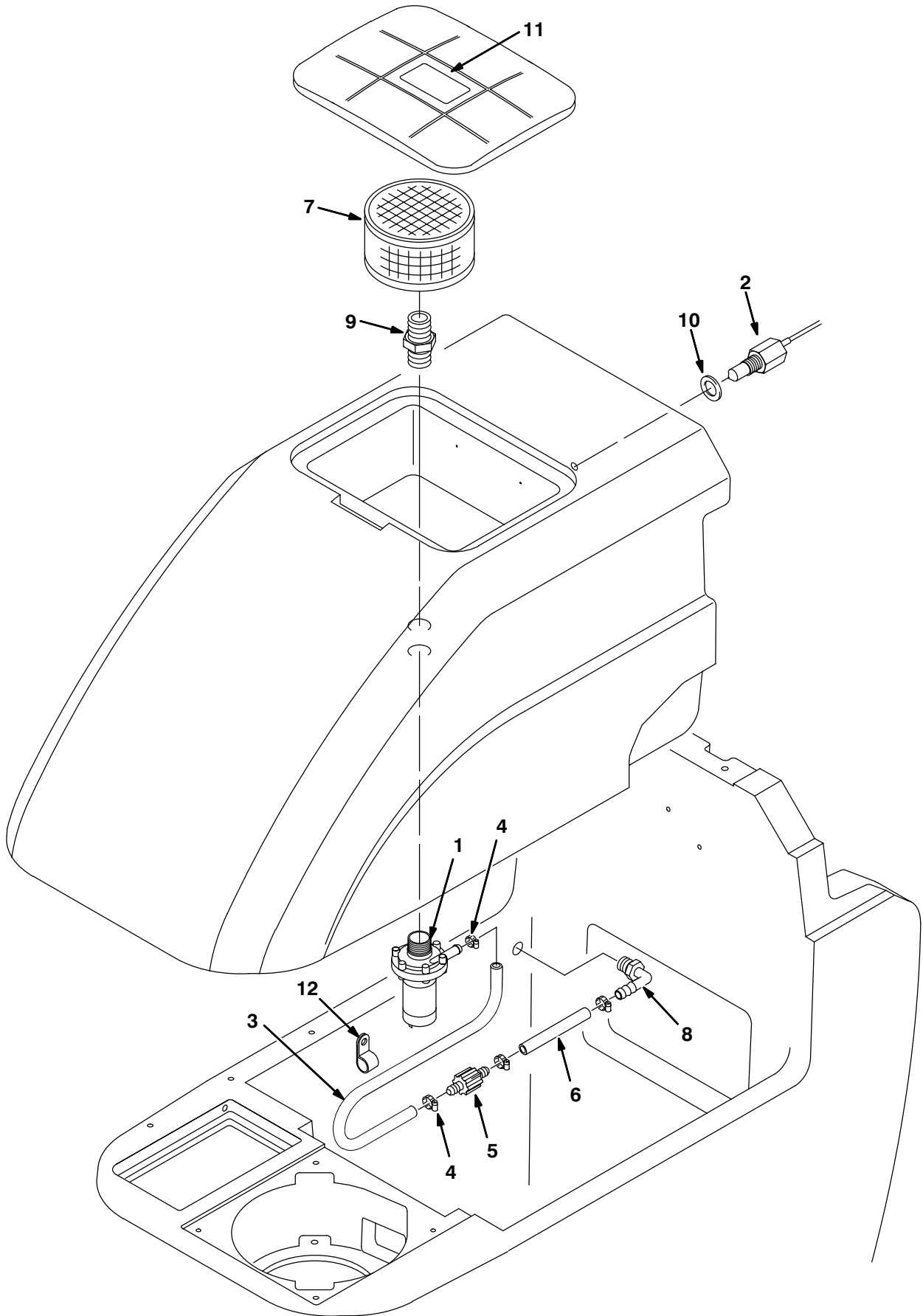
Fig. 7 – Accessory Console Group



**Fig. 7 – Accessory Console Group**

<b>Ref.</b>	<b>Part No.</b>	<b>Description</b>	<b>Qty.</b>
1	630140	Console, Options, 20" Scrubber	1
2	630331	Wire Assy, Key Switch	1
3	200 070 354	Screw, Pan Hd, Phil, M4 X 30	2
4	140287	Screw, M4 X .7 X 16MM PanPhl	2
5	140023	Washer, Loc Int #8	4
6	578852	Rivet, Snap 5.0MM	1
7	630143	Meter, Hour, 18–60Vdc	1
8	630142	Light, Pilot, 24V, Blue	1
9	630145	Timer, 24Vdc, Range: 30Sec	1
10	630419	Switch, Rckr, Spst, 24Vdc, Green	2
11	612462	Switch, Keylock Illinois w/2 Keys	1
12	069 762 236	Key, Replacement Universal F315, Illinois Switches	2
13	630237	Decal, Es/Key/Hr/Light/Wp (Option)	1
	630236	Decal, Es/Key/Hr Mtr/Light (Option)	1
	630238	Decal, Wand Pump (Option)	1
	630239	Decal, Key/Hr/W. Pump (Option)	1
	630235	Decal, Key/Hour Meter (Option)	1
14	630334	Screw, S–Tap, Pn Phl, #6	1
15	606499	Harness, Wire ES Option	1
16	630342	Harness, Wire Es	1
17	606502	Harness, Accessory	1
18	630097	Switch, Contact Block	1
19	630100	Switch, Pushbutton	1
20	630266	Wire Assy, #14, 180Mm,Foc/Butt	1
21	578720	Splash Guard, Rocker Switch	2
22	601271	Stud, M4 X .7 X 1.00	2
23	140023	Washer, #8 INT	2
24	140026	Washer, #6 Flat	1
25	200 102 014	Nut, M4 X .7 Hex	2
26	579178	O–Ring, Sponge .125 (1.833ft)	1
27	140018	Washer, #10 INT	1

Fig. 8 – Extended Scrub Group

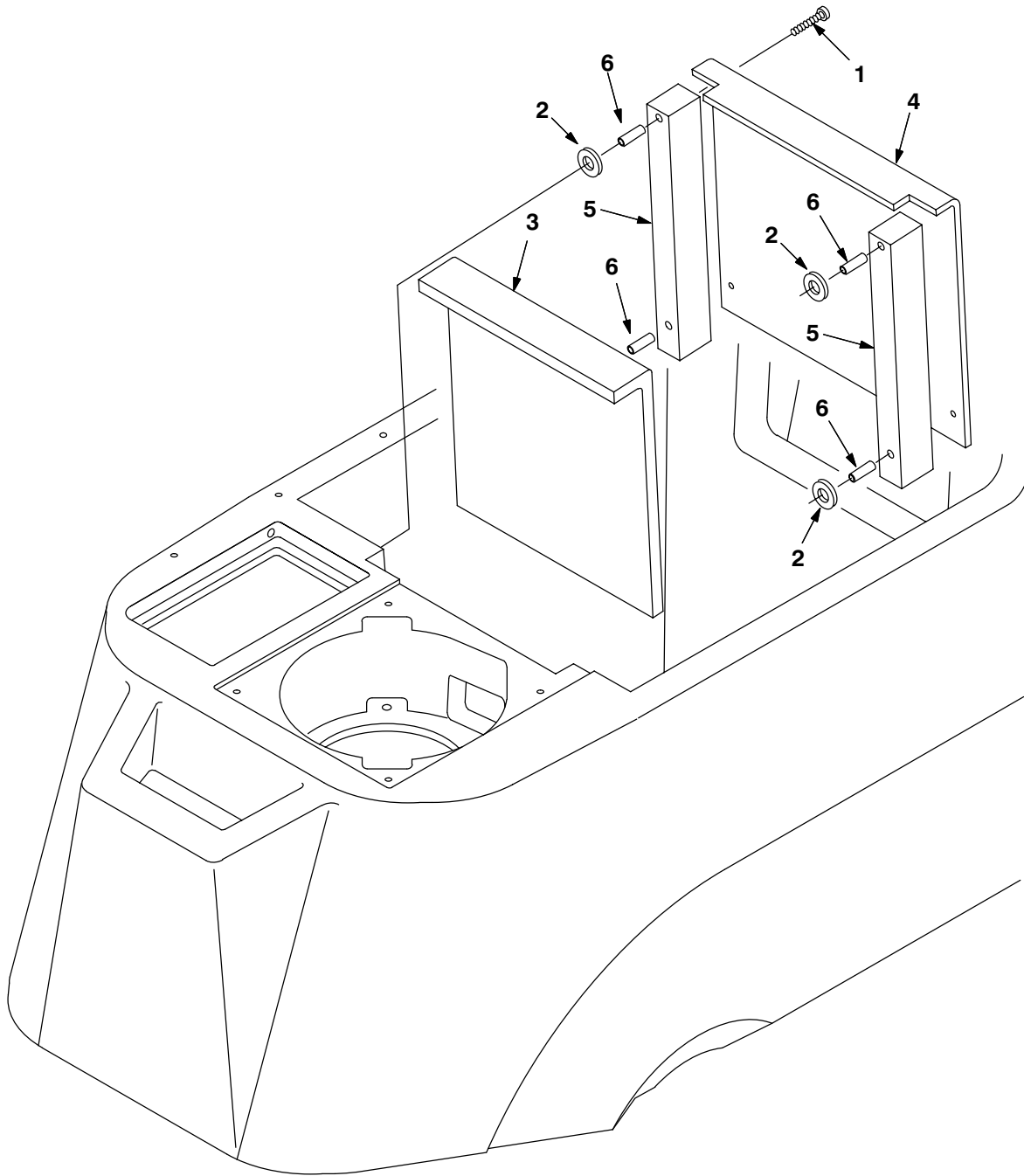


**Fig. 8 – Extended Scrub Group**

<b>Ref.</b>	<b>Part No.</b>	<b>Description</b>	<b>Qty</b>
1	630136	Pump, 24Vdc	1
2	630137	Sensor, Water Level	1
3	25160	Tubing, 5/8OD X 3/8ID X 21.75ft Lg	1
4	140310	Clamp, Hose 5/16 – 7/8	4
5	210044	Valve, Check, 3/8 X 3/8 Barb, 3PSI	1
6	25160	Tubing, 5/8OD X 3/8ID X 5.25ft Lg	1
7	630138	Filter, Screen, 100Mesh, 5300	1
8	150412	Fitting, 3/8M X 3/8H Elbow 90°	1
9	630385	Fitting, Nipple 3/4NPT, Nylon	1
10	630479	Washer, Nylon, 17.5ID, 25.4OD, 3.2	1
11	630440	Decal, Do Not Remove Filter	1
12	140314	Clamp, Insulated 3/4"ID	1



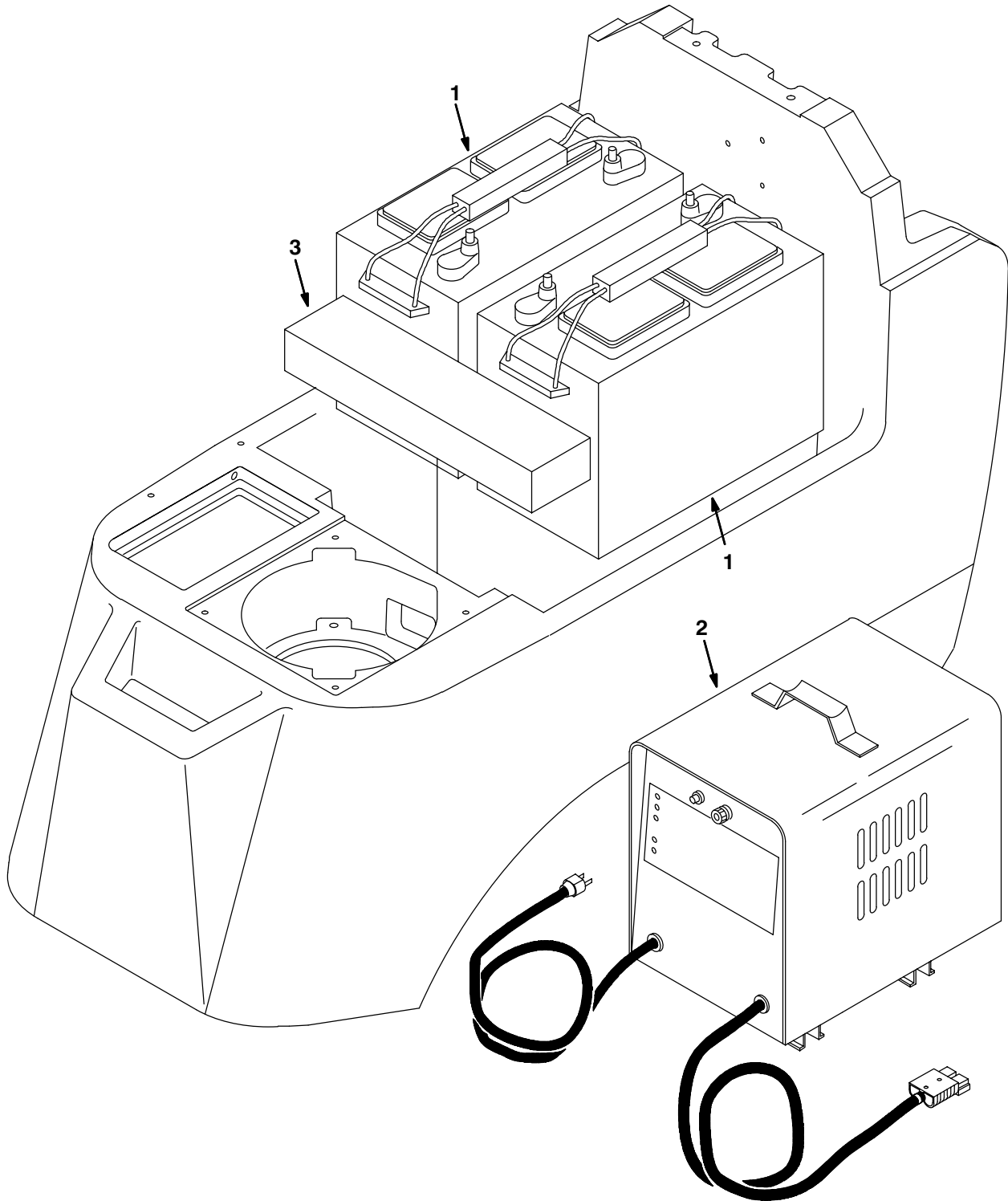
**Fig. 9 – Sound Kit**



09154/09138

Ref.	Part No.	Description	Qty.
	630735	Kit, Sound Low DB	1
1	600393	Screw, M5 X 40MM FLTHD	4
2	200 315 016	Washer, Flat	4
3	630441	Sound Cover, Foam	1
4	630395	Sound Cover, Plate	1
5	630397	Sound Side, Foam	2
6	630398	Spacer	4

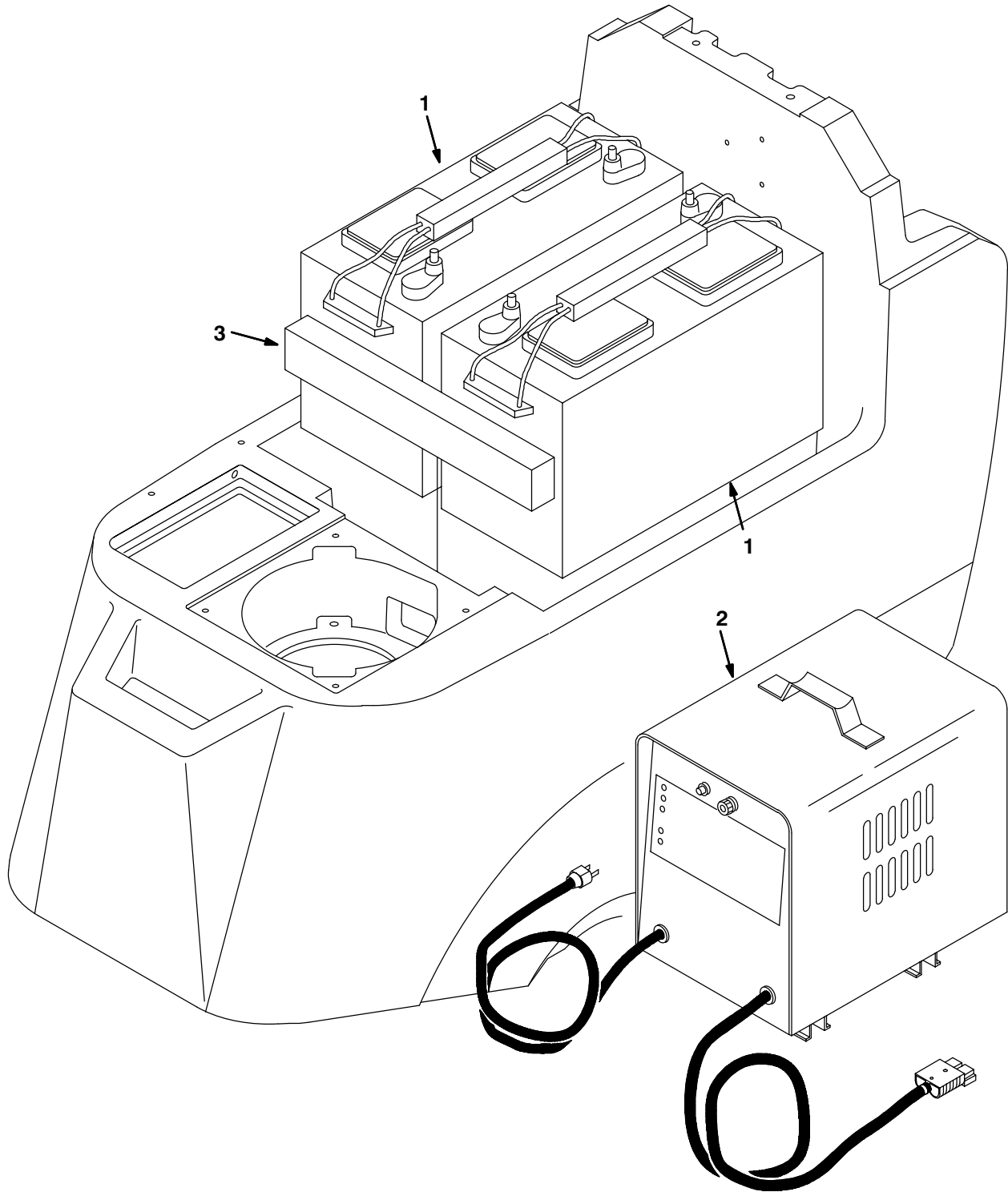
Fig. 10 – Battery Group-130 Ah



Ref.	Part No.	Description	Qty.
1	130869	Battery, 12V 130Ah	2
2	130948	Charger, 24VDC 15AMP 120AC/60Hz	1
3	630375	Stop, Battery Insert, 130Ah	1

09164/09131

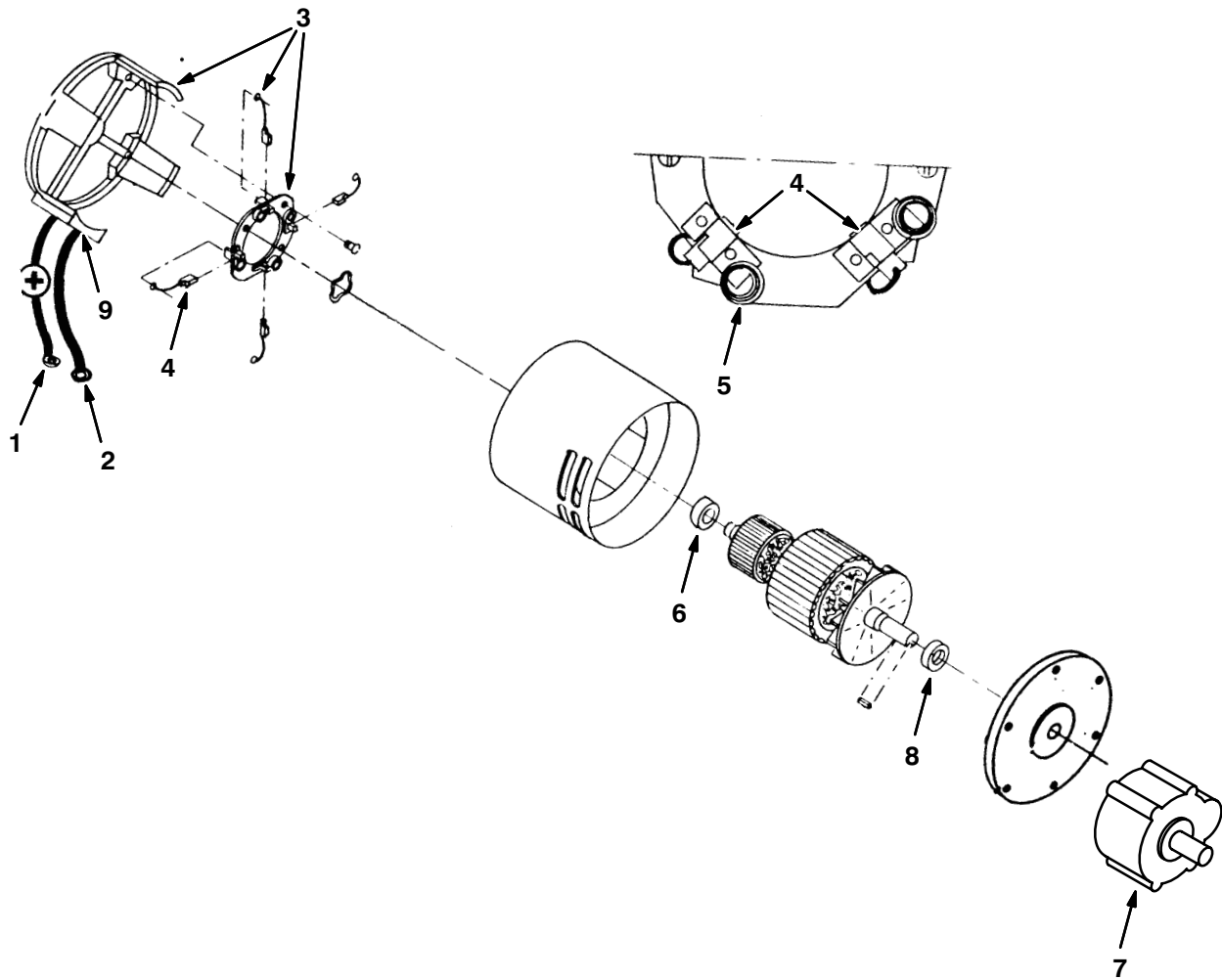
**Fig. 11 – Battery Group-215 Ah**



Ref.	Part No.	Description	Qty.
1	600394	Battery, 12V 215Ah	2
	600595	Battery, 12V 215 Ah, Damp	2
2	603235	Charger, 24DC/20A/120AC	1
3	630375	Stop, Battery Insert	1

09165/09132

**Fig. 1 – Electric Motor Breakdown, 630035**



09174/09173

Ref.	Part No.	Description	Qty.
▽	630035	Electric Motor	1
▲ 1	630610	Lead Assembly (Positive)	1
▲ 2	630611	Lead Assembly (Negative)	1
▲▽ 3	630608	Commutator Bracket Assy (Including Brush Board Assy)	1
▲▲ 4	612 410 000	Brush Assembly	4
▲▲ 5	602 131 000	Brush Spring	4
▲ 6	602 088 000	Bearing	1
▲ 7	630609	Gearbox Assembly	1
▲ 8	630607	Bearing	1
▲ 9	630612	Strain Relief	2