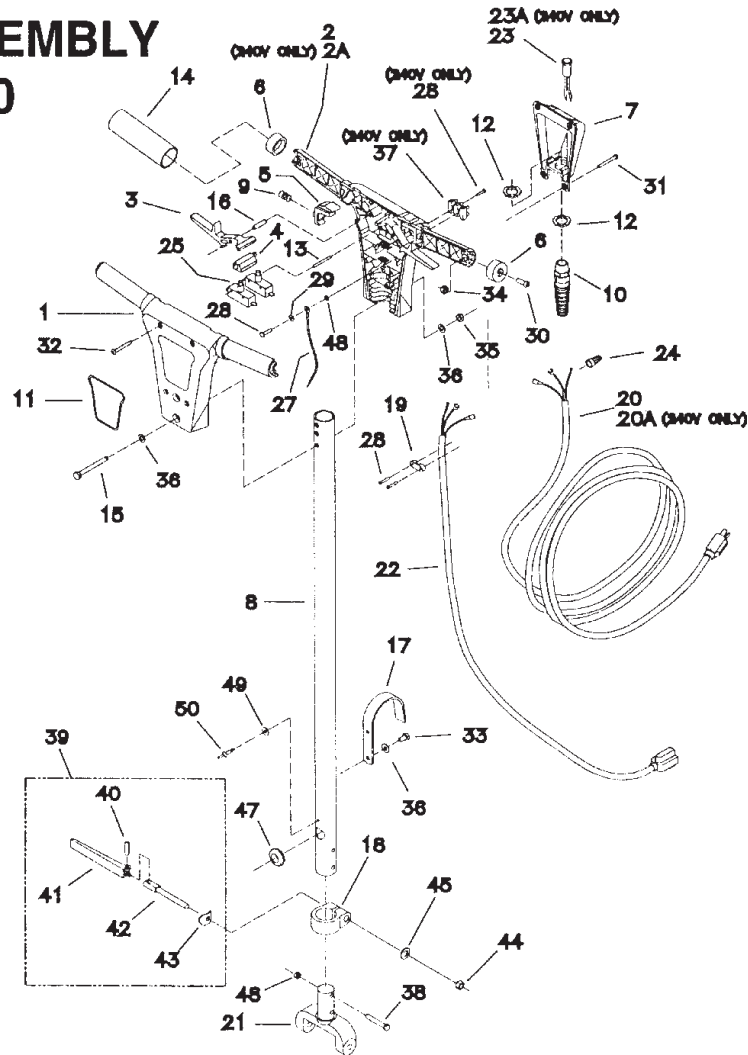


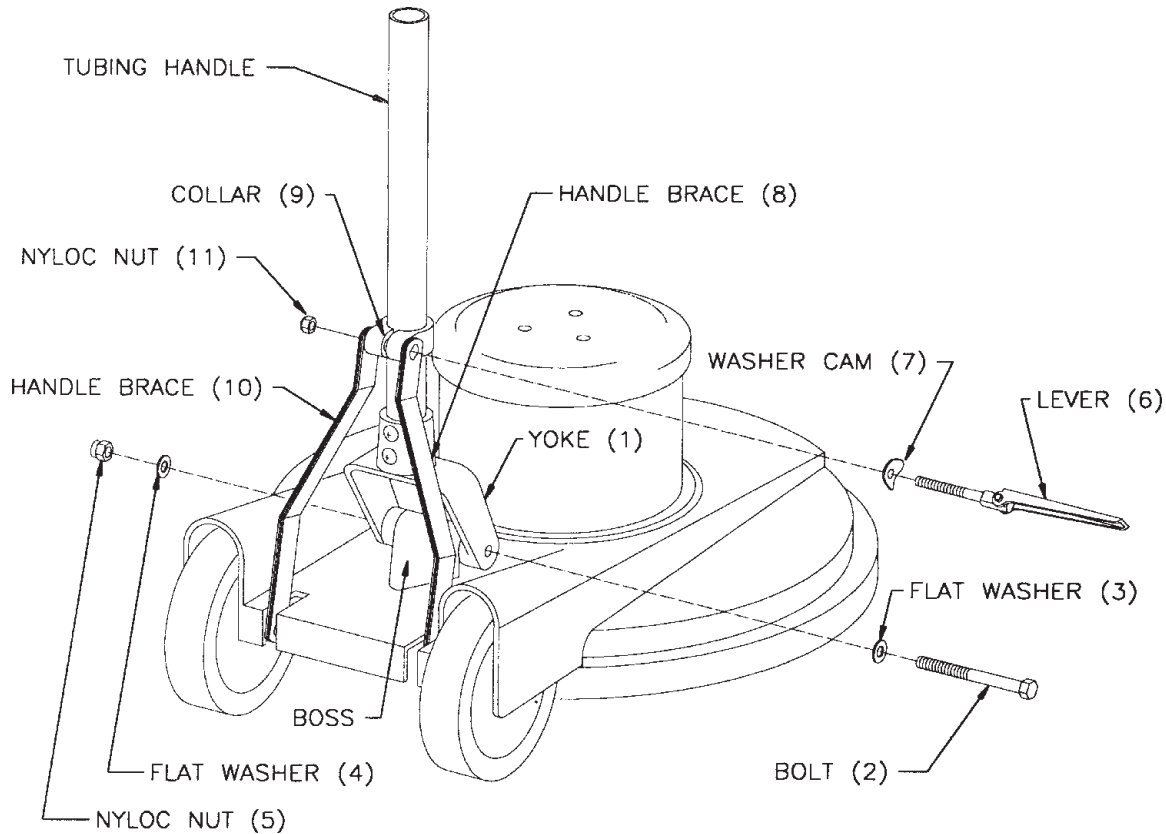
Minuteman®

HANDLE ASSEMBLY 130200/130230



Item	Part No.	Qty.	Description	Item	Part No.	Qty.	Description
1	190003	1	Switch Box Front	25	740029	2	Switch 1.5 hp
2	190004	1	Switch Box Rear	26	740005	4	Wire Cap 18-14
2A	190004MCH	1	Switch Box Rear (240V)	27	740363	1	Wire Assembly Green w/Yellow
3	190007	2	Switch Trigger	28	712088	5	SCR-Hi/Lo 8-18 x .75
4	190008	1	Switch Cap	29	711502	1	WSR-Flat 8
5	190009	2	Safety Button	30	710380	2	SCR-MC 1/4-20 x .75
6	190006	2	End Cap	31	711160	4	SCR-Hi/Lo 10 x .63
7	190005	1	Electrical Box Rear	32	711162	4	SCR-Hi/Lo 10 x 1.50
8	130198PLT	1	Tube Handle	33	711202	2	BOLT-HH 1/4-20 x .50
9	190015	2	Trigger Spring	34	711316	2	Nut-Hex 1/4-20
10	150004	1	Strain Relief	35	711425	2	Nut-Flanged Wizz 1/4-20
11	715175	1	Decal Minuteman Runner	36	711544	4	WSR-Helical 1/4
12	711400	2	Nut-Pipe Lock 1/2	37	740036	1	Terminal Block (240V)
13	711619	2	Roll Pin 1/8 x 1.50	38	711213	2	Bolt-HH 1/4-20 x 1 5/8
14	190016	2	Foam Grip	39	807674	1	Kick Lever Kit
15	710186	2	SCR-MC 1/4-20 x 2.25 TH	40	806561	1	Dowel Pin
16	711658	2	Roll Pin 1/4 x 1.0	41	806558	1	Kick Lever
17	170040PLT	1	Cord Hook	42	807190	1	Bolt Cam
18	16224	1	Handle Clamp	43	806555	1	Washer Cam
19	190010	1	Strain Relief	44	711374	1	Nut-Nyloc 5/16-18
20	829881	1	Orange Cord Set (115V) 30'	45	711506	1	WSR-Flat 5/16
20A	740600	1	Cord Set (240V)	46	711553	1	WSR-Lock #8
21	130016POL	1	Yoke	47	130013	1	Grommet
22	190013	1	Cord, Handle	48	711373	2	Nut-Nyloc 1/4-20
23	832859	1	Indicator Light (115V)	49	711503	1	WSR-Flat #10
23A	832860	1	Indicator Light (240V)	50	711903	1	Pop Rivet
24	740044	2	Wire Cap 12-18				

INSTALLATION INSTRUCTIONS FOR HANDLE AND BASE ASSEMBLY



- A) INSTALL YOKE (1) OVER BOSS ON BASE.
- B) INSERT BOLT (2) AND FLAT WASHER (3) THRU YOKE (1) AND BASE BOSS.
- C) INSTALL FLAT WASHER (4) AND NYLOC NUT (5) AND TIGHTEN UNTIL BOLT END IS 3/8" PAST THE NUT. SEE FIGURE 1.

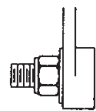


FIGURE 1

- D) INSTALL HANDLE RELEASE LEVER (6) AND CURVED WASHER CAM (7) AS SHOWN THRU HANDLE BRACE (8), COLLAR (9) AND HANDLE BRACE (10).
- NOTE:** THE WASHER CAM AND LEVER PIN ORIENTATION IS VERY IMPORTANT.
- E) INSTALL LOCK NUT (11) AND TIGHTEN UNTIL BOLT END IS 1/8" PAST THE NUT. SEE FIGURE 2.

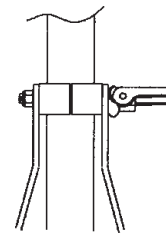


FIGURE 2

World Headquarters
Minuteman International, Inc.
111 South Rohlwing Road
Addison, Illinois 60101

(630) 627-6900
FAX (630) 627-1130

Minuteman Canada, Inc.
2210 Drew Road
Mississauga, Ontario
L5S 1B1

(905) 673-3222
FAX (905) 673-5161

8/97
999153
Printed in U.S.A.