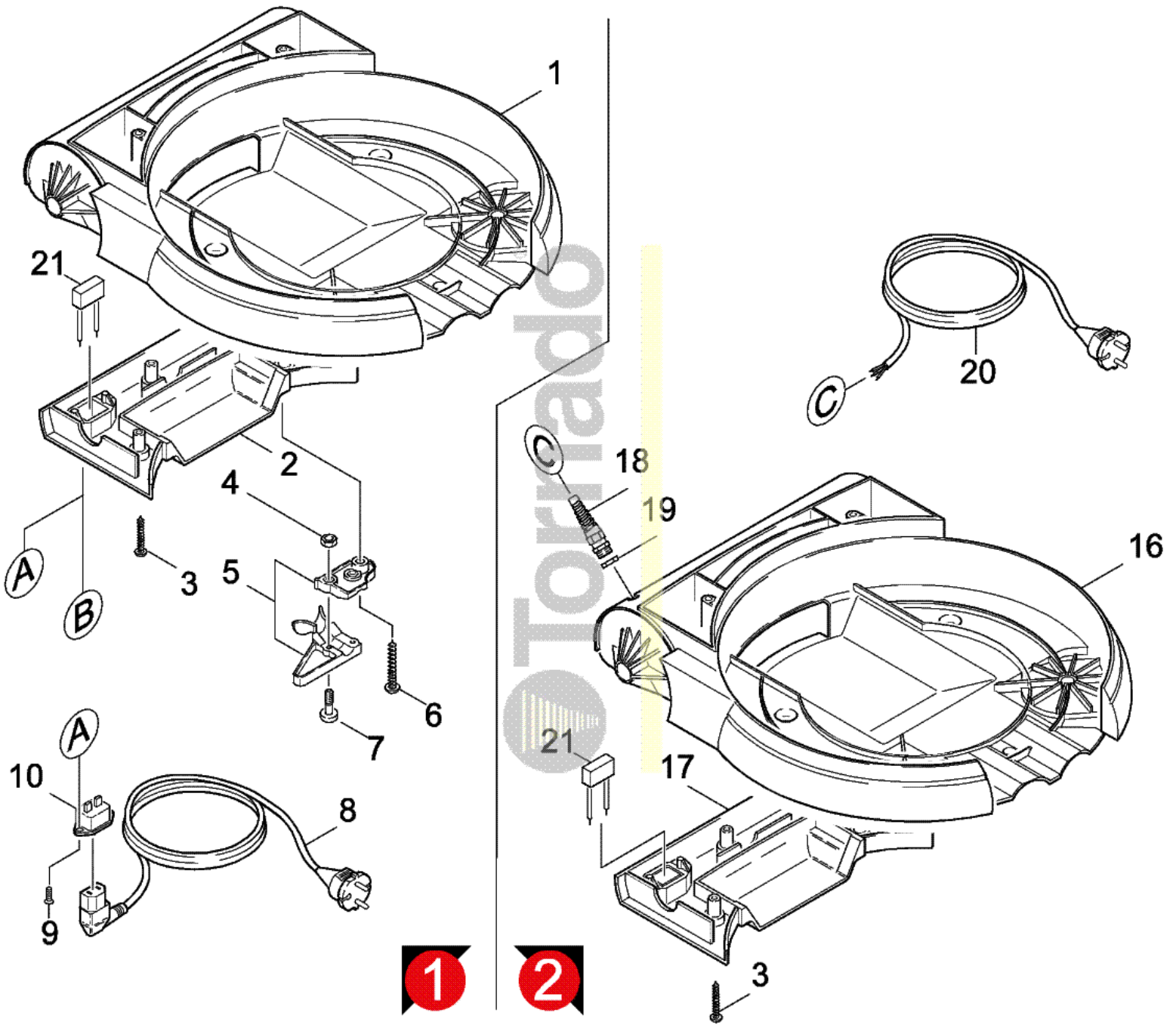
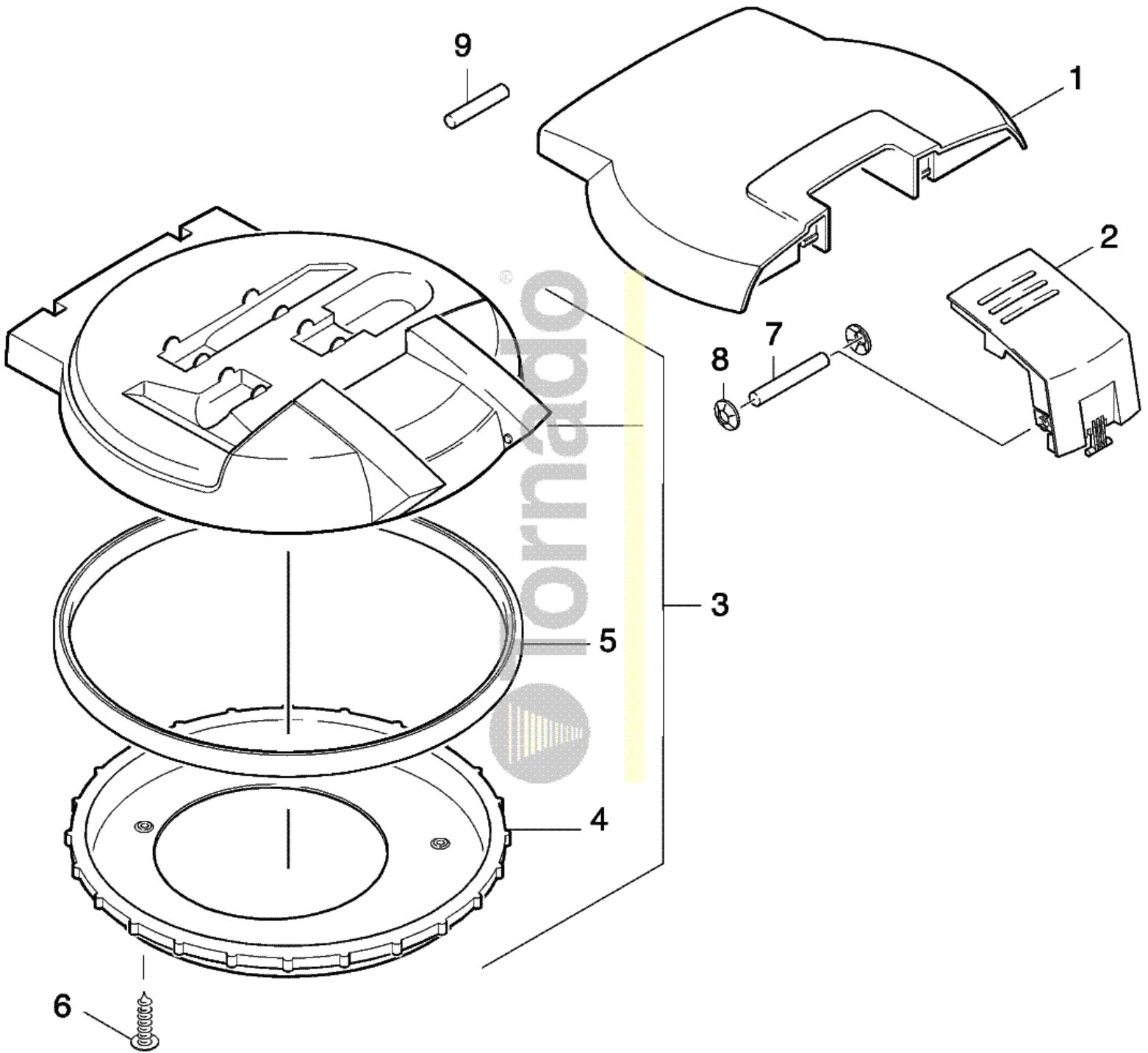


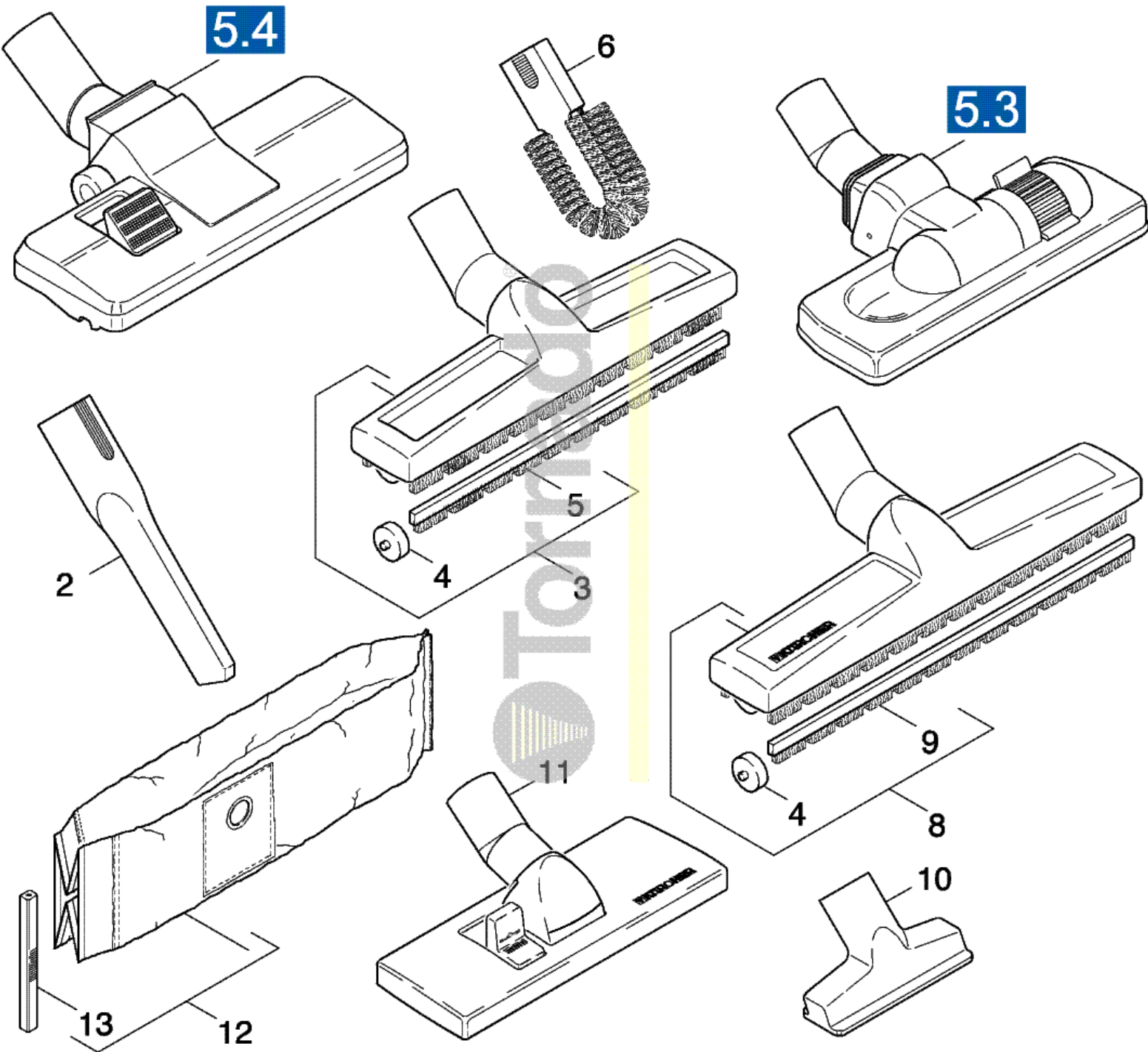
No.	Number	Qty	Description
1	K73031100	2	SCREW 5 X 35
2	K56920220	1	AIR CIRCULATION
3	K62862020	1	INSULATING MAT
4	K62862010	1	INSULATING MAT
5	K53920110	2	PROTECTING CAP
7	K73122850	2	WASHER
8	K64352120	2	CASTOR
9	K50307700	1	PIPE HOLDER
10	K63031450	3	USE #K73030860SCREW
11	K63031550	10	SCREW 5X16
12	K51104940	2	SLEEVE
13	K55150290	2	WHEEL
14	K66316220	1	ROCKER SWITCH
14	K66316610	1	ROCKER SWITCH
15	K50427180	1	BRACKET
16	K50307090	1	BOLT
17	K73035110	1	SELF-TAPPING SCREW
18	K51320880	1	PLUG
20	K73122780	4	WASHER
21	K55010310	2	HINGE



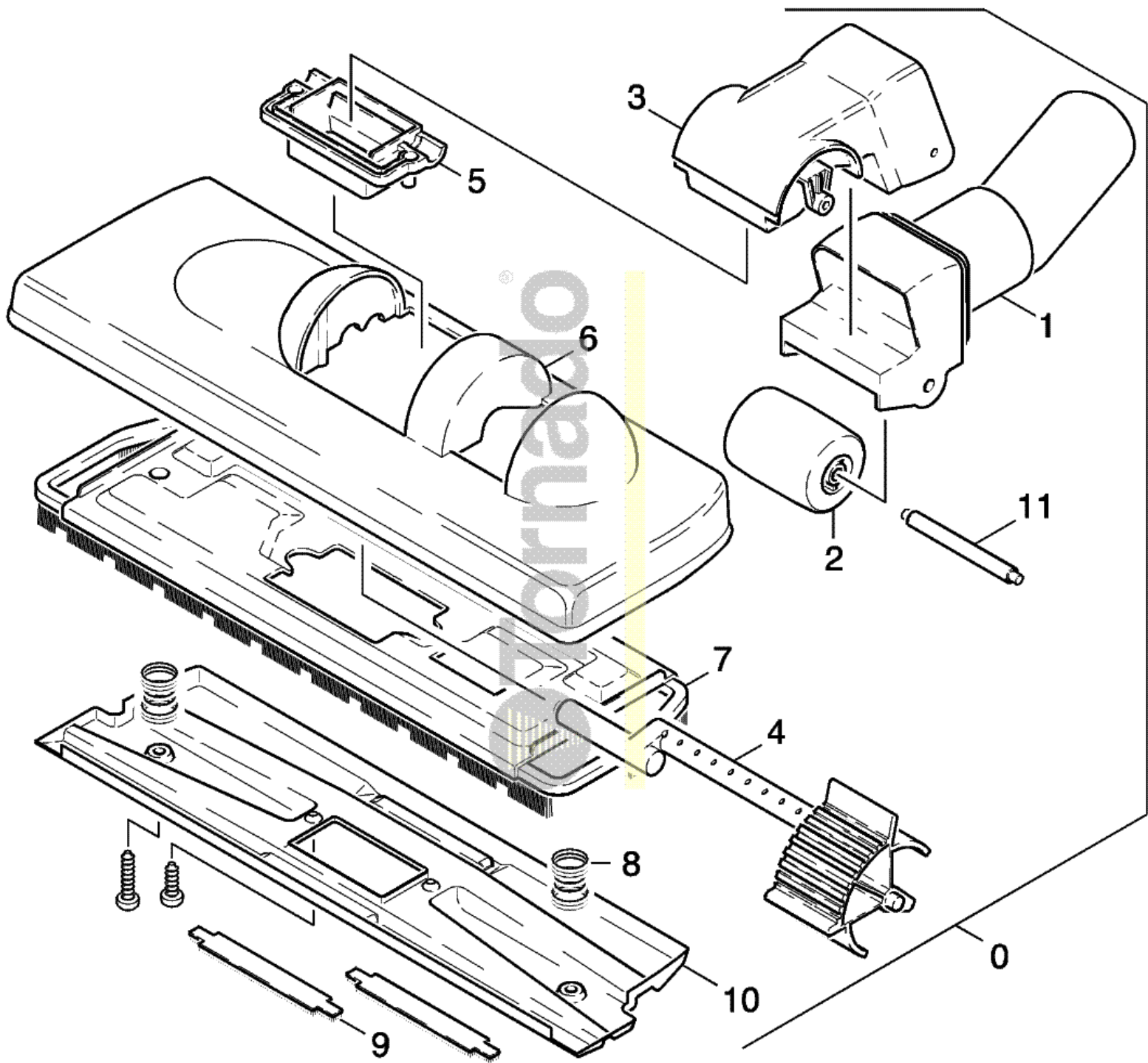
No.	Number	Qty	Description
1	K52210040	1	CHASSIS
2	K50307080	1	COVERING CAP
3	K73031100	3	SCREW 5 X 35
4	K73110010	2	HEX NUT M 4
5	K58100100	1	PULL RELIEF
6	K73031110	1	SCREW 5 X 50
7	K63031960	2	OVAL HEAD SCREW
9	K63031760	2	SCREW
10	K66461990	1	PLUG
16	K52510300	1	CHASSIS
17	K50312430	1	COVERING CAP
18	K66476820	1	CABLE CONNECTOR
19	K66413660	1	COUNTERNUT
20	K66476640	1	POWER CORD - EUROPEAN
8	K66476910	1	POWER CABLE (CORD)
21	K66611120	1	INTERFERENCE SUPPRESSOR



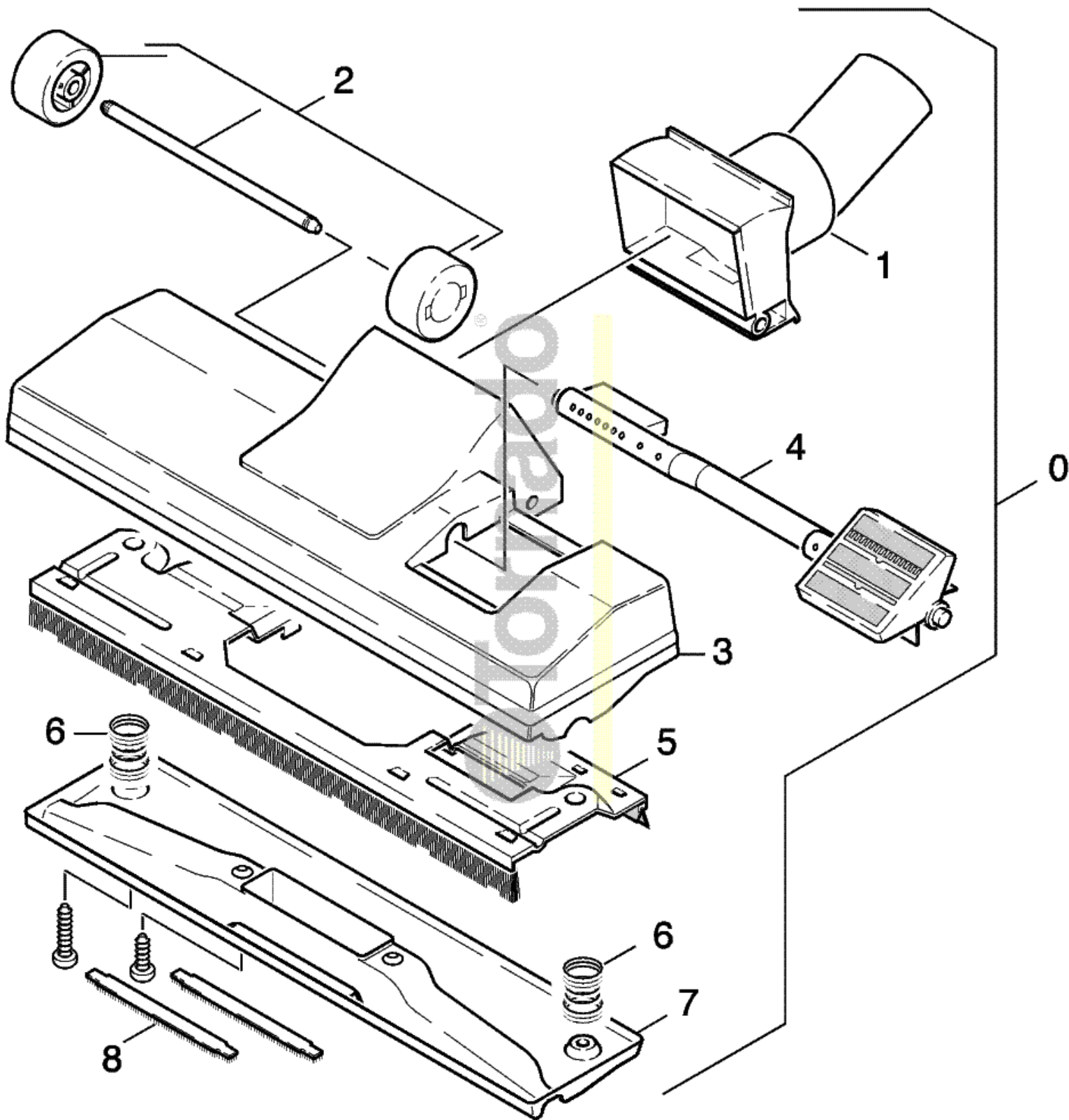
No.	Number	Qty	Description
1	K50634390	1	COVER
2	K50750160	1	CLOSURE
3	K40631670	1	COVER
4	K53943370	1	PROTECTION PART
5	K62731160	1	RUBBER PROFILE
6	K63031550	4	SCREW 5X16
7	K53140720	1	PIN
8	K73432030	2	LOCK WASHER
9	K73141380	2	STRAIGHT PIN



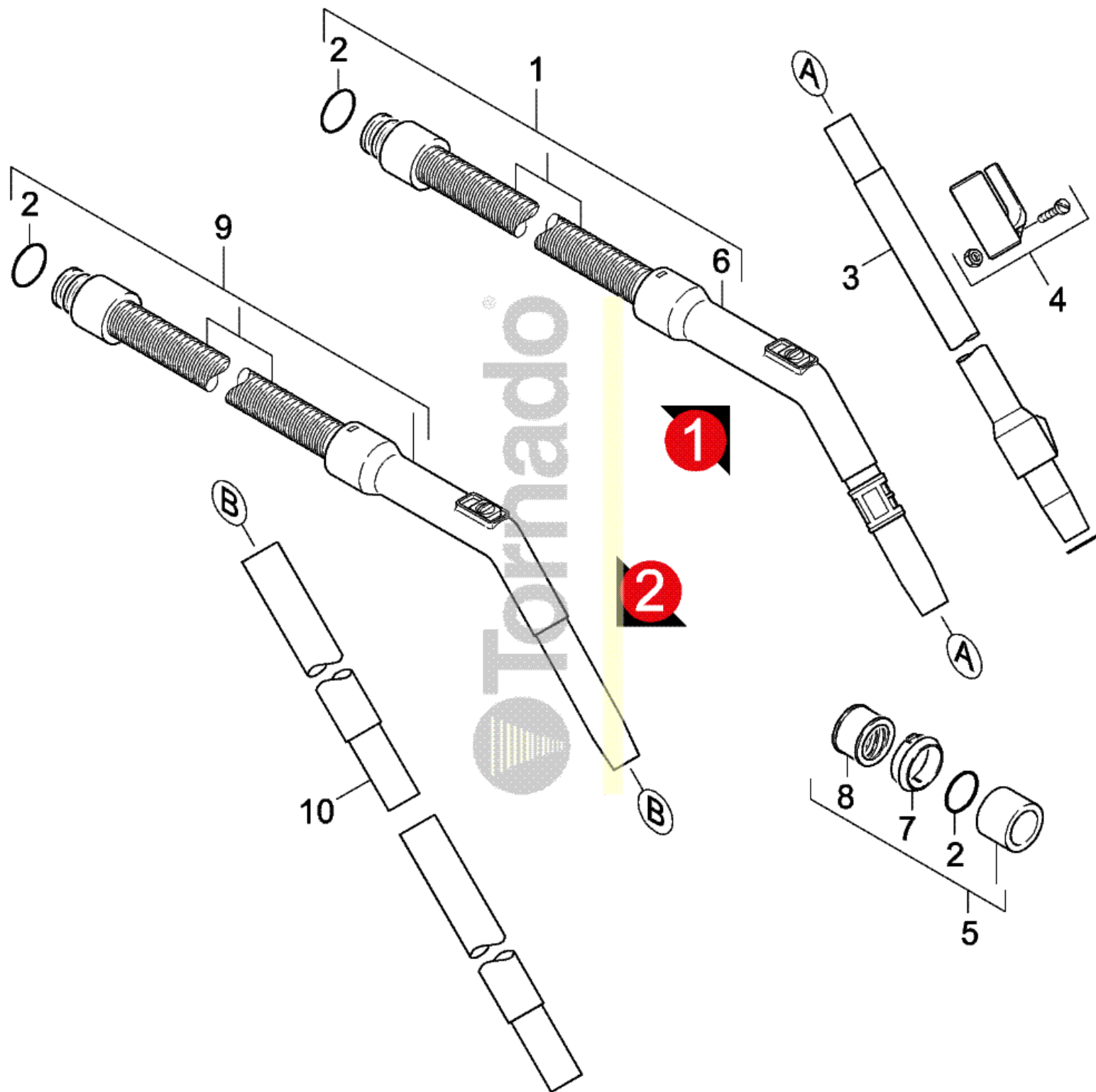
No.	Number	Qty	Description
2	K69034030	1	CREVICE TOOL
3	K69060890	1	FLOOR TOOL
4	K64352920	2	ROLLER
5	K69032780	1	BRUSH SET
6	K69034040	1	DETAIL BRUSH (T191)
8	K69061070	1	FLOOR TOOL WITH BRUSH STRIP
9	K69058780	1	BRUSH SET
10	K69034020	1	UPHOLSTERY NOZZLE
11	K69059850	1	USE #K69066020FLOOR TOOL
12	K69040780	1	USE #K69061210CLOTH SACK
13	K63751830	1	INTERLOCKING BAR



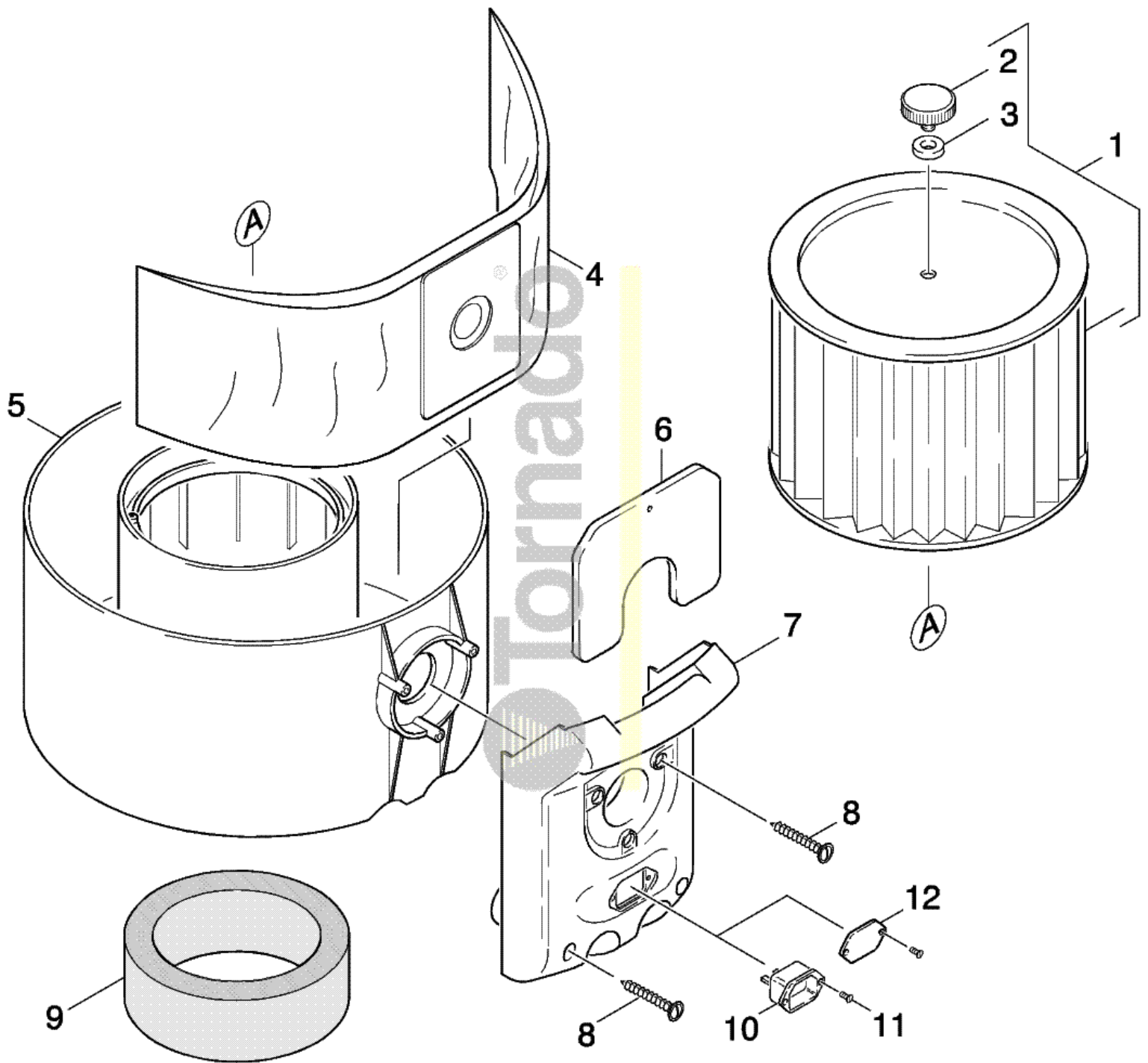
No.	Number	Qty	Description
0	K69038840	1	USE #K69065100FLOOR TOOL
1	K69054200	1	JOINT
2	K69054210	1	ROLLER
3	K69054220	1	SUCTION CANAL
4	K69054230	1	FOOT PEDAL
5	K69054240	1	SUPPORTING PIECE
6	K69054250	1	TOP PART
7	K69054260	1	CARRIER PLATE
8	K69054160	2	DOUBLE CONE. WIRE SPRING
9	K69054170	1	THREAD CLIPPER
10	K69054290	1	BOTTOM
11	K69059360	1	SHAFT



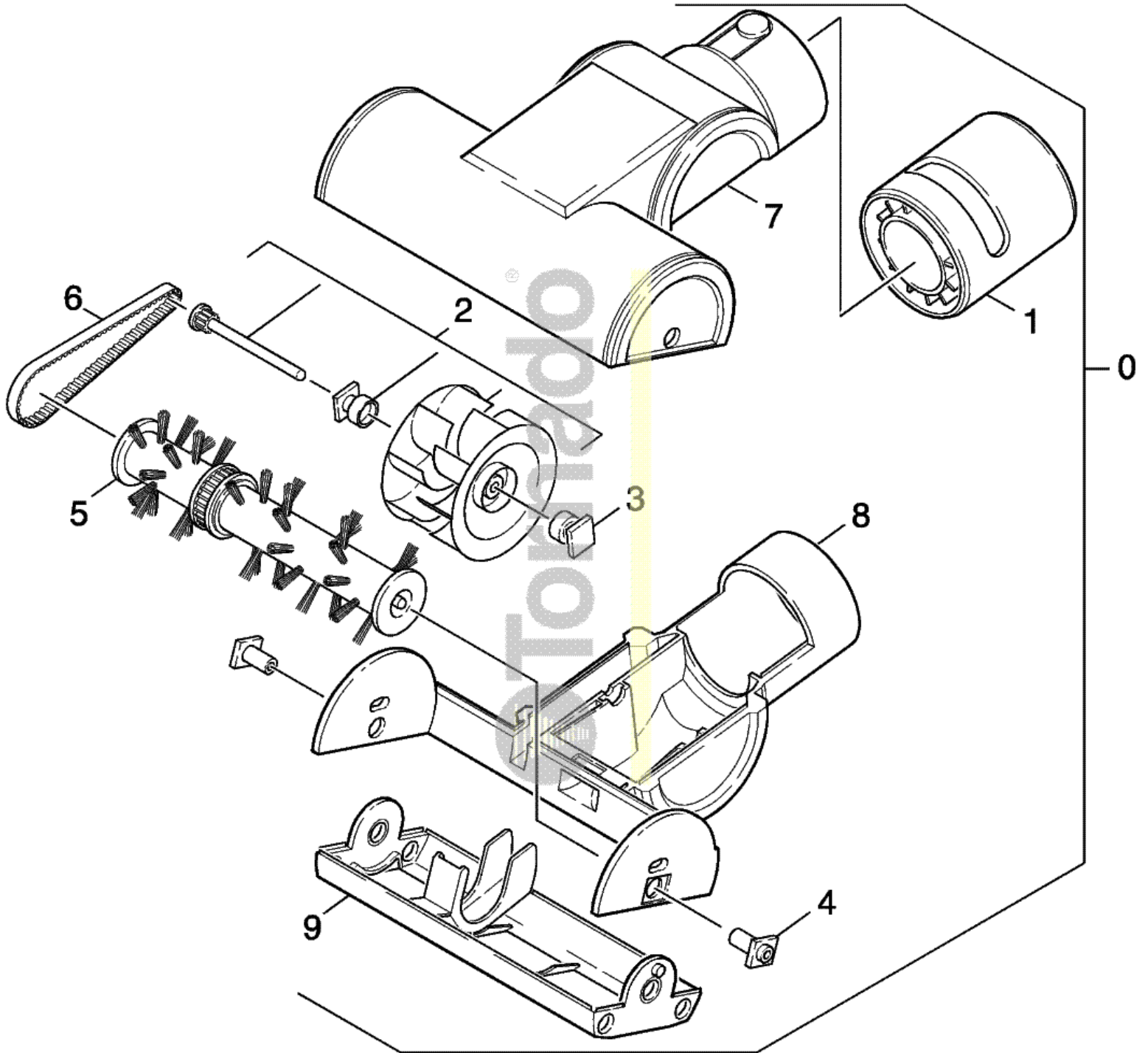
No.	Number	Qty	Description
0	K69034010	1	NOZZLE
1	K69054030	1	JOINT
2	K69054040	2	ROLLER
3	K69054050	1	TOP PART
4	K69054060	1	FOOT PEDAL
5	K69054070	1	CARRIER PLATE
6	K69054080	2	DOUBLE CONE. WIRE SPRING
7	K69054090	1	BOTTOM
8	K69054100	1	THREAD CLIPPER
9	K63030530	2	OVAL HEAD SCREW T 201 TORNADO -USA
10	K73033630	2	SHEET METAL SCREW



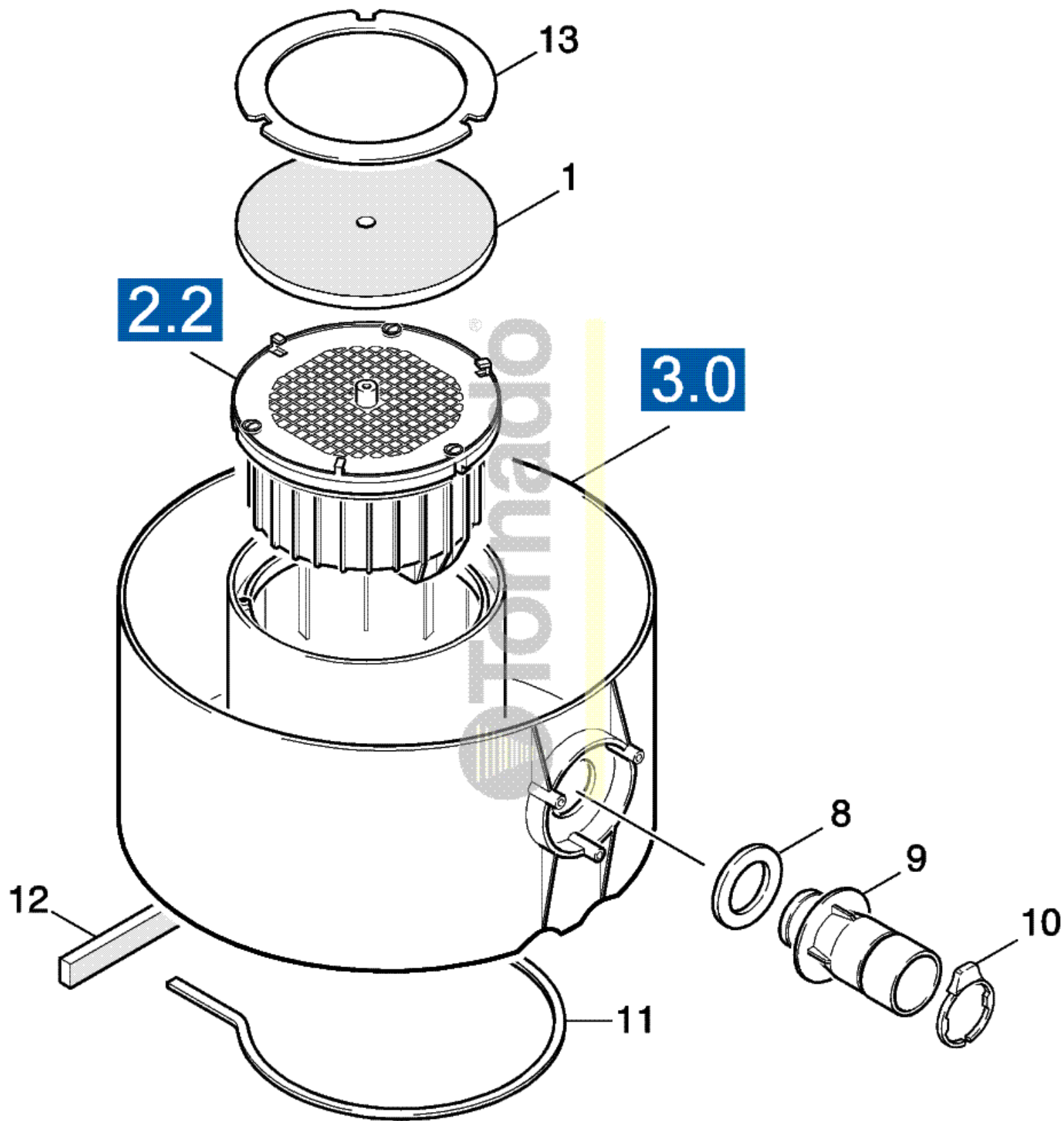
No.	Number	Qty	Description
1	K44404190	1	USE #K44407740SUCTION HOSE
2	K63621630	2	GASKET
3	K69035240	1	TELESCOPIC WAND
4	K50370770	1	HOOK
	K73063470	1	OVAL HEAD SCREW
	K73110010	1	HEX NUT M 4
5	K26381370	1	USE #K26391270ADD-ON KIT
6	K69038890	1	ELBOW
7	K69020650	1	CLAMP SLEEVE
8	K69020640	1	RING FOLLOWER
9	K44403850	1	USE #K44407740SUCTION HOSE
10	K69038500	2	METAL WAND 1-PC 2 REQD
11	K69060770	1	ELBOW



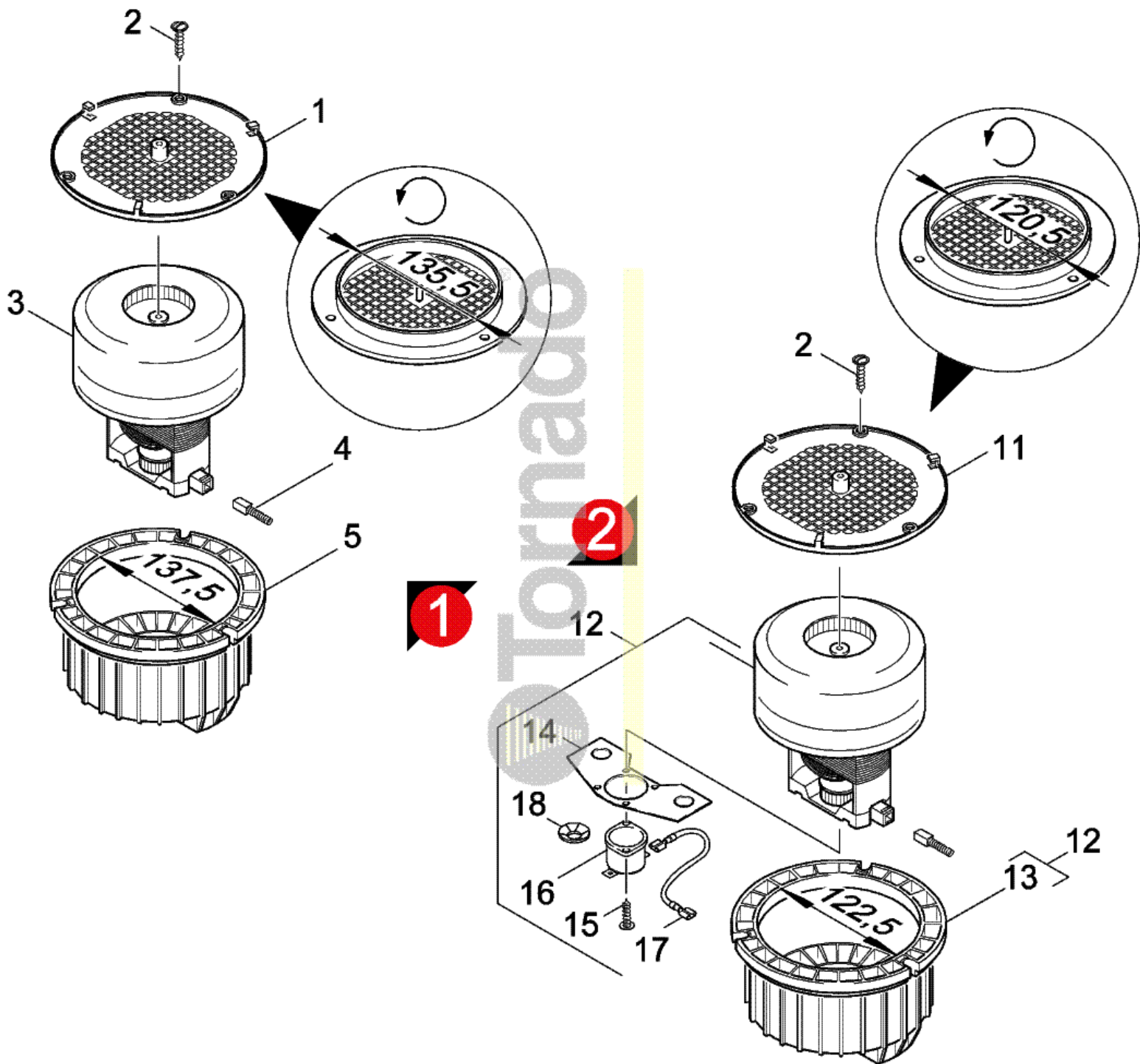
No.	Number	Qty	Description
1	K26380930	1	MICROFILTER ACC KIT
2	K73033010	1	KNURLED SCREW
3	K63620760	1	JOINT RING
4	K69035230	1	DUST BAG (20 PKGS.OF 10)
4	K69061180	1	PAPER FILTER BAGS 10
5	K50705630	1	TANK
6	K50309090	1	USE #K28601190BOLT
7	K53213630	1	HANDLE
8	K63031450	5	USE #K73030860SCREW
9	K62862000	1	INSULATING MAT
10	K66462000	1	SOCKET
11	K63031760	2	SCREW
12	K50029230	1	COVER PLATE



No.	Number	Qty	Description
0	K69038860	1	USE #K28601130
1	K69055140	1	SLEEVE
2	K69055130	1	VACUUM MOTOR
3	K69055120	1	BEARING
4	K69055110	1	BEARING
5	K69055090	1	ROLLER BRUSH
6	K69055100	1	TOOTHED BELT
7	K69055510	1	TOP PART
8	K69055520	1	BOTTOM
9	K6905530	1	SUCTION CANAL



No.	Number	Qty	Description
1	K69040970	1	MOTOR FILTER 5 PACK
8	K53633080	1	JOINT RING
9	K54080380	1	ELBOW
10	K53430100	1	SPRING CLIP
11	K62731240	1	CELL. RUBBER BAND 9X4
12	K63628010	1	SEAL
13	K53430130	1	SPRING CLIP



No.	Number	Qty	Description
2	K63031220	3	OVAL HEAD SCREW
10	K66102140	1	CARBON BRUSHES SET OF 2 PCS
11	K50465580	1	GRATE RING
12	K46100550	1	VACUUM MOTOR
12	K46100360	1	VACUUM MOTOR
13	K56720270	1	SUPPORT
14	K50014020	1	PLATE
15	K63030140	4	SELF-TAPPING SCREW M 3 X
16	K64230630	1	THERMOPROTECTION
17	K48207670	1	CABLE
18	K63431190	2	LOCK WASHER